

# FE2owlet

for single phase alternating current, 4 pole

FNO45-4E



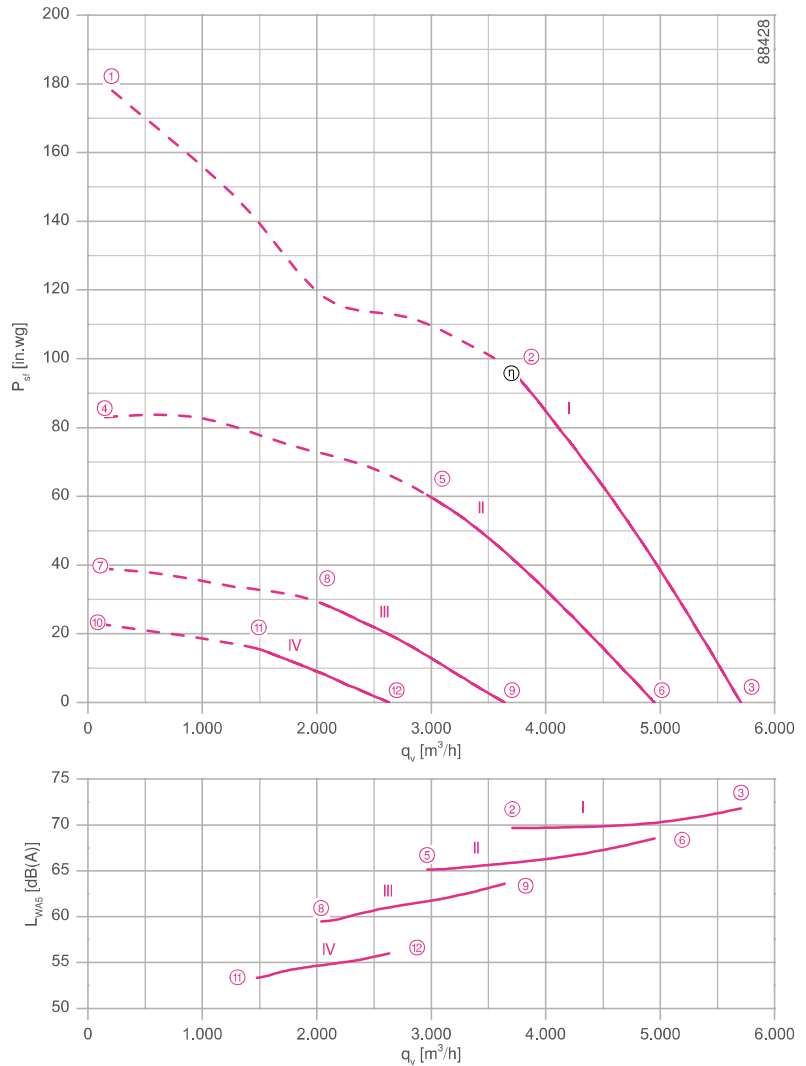
## Description

Motor technology: AC  
 Rated voltage  $U_N$ : 1 ~ 230 V ± 10 %\*  
 Rated frequency  $f_N$ : 50 Hz\*  
 Motor input power  $P_1$ : 0.39 kW\*  
 Rated current  $I_N$ : 1.75 A\*  
 Rated speed  $n_N$ : 1290 min<sup>-1</sup>\*  
 Starting current  $I_s$ : 3.60 A  
 Current increase  $\Delta I$ : 10 %  
 Service capacitor  $C_{400V}$ : 7.0  $\mu$ F  
 Thermal class: THCL155\*  
 Min. permitted conveyor temperature  $t_{R(min)}$ : -25 °C  
 Max. permitted conveyor temperature  $t_{R(max)}$ : 55 °C  
 Electrical connection: Terminal box  
 Number of blades: 7  
 Protection class: IP44  
 Motor protection: Thermal contact  
 Blades: High Performance Composite Material, uncoated, black  
 Rotor: Aluminium, 1 coat paint, black  
 Conformity: ErP 2013, CE  
**ErP Data**  
 Efficiency  $\eta_{statA}$ : 27.3 %  
 Efficiency:  $N_{actual} = 36.2 / N_{target} = 36^{**}$   
 \* Rated data  
 \*\*ErP 2013

➤ Connection diagrams Page 608  
 for airflow direction V 1360-104XA  
 for airflow direction A 1360-104XB

➤ System components Page 524

## Characteristic curve

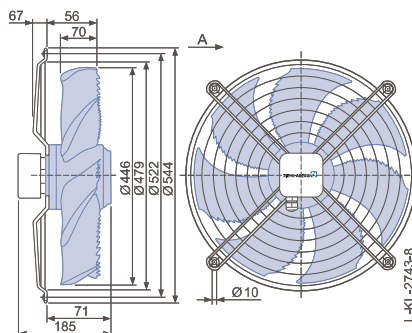


Measured in full bell mouth without guard grille in installation type A according to ISO 5801.

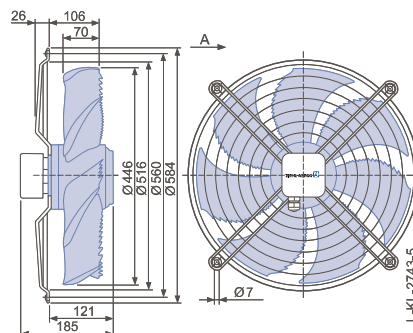
## Dimensions [mm]

### Airflow direction A

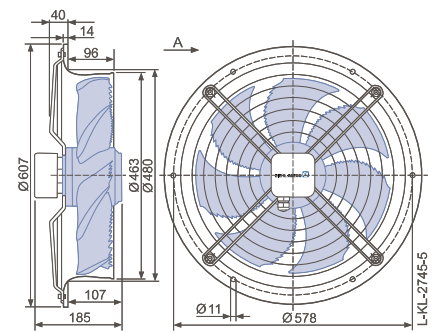
Design W - axial bolted, mounting for short bell mouth E



Design D - axial bolted, suspension for full bell mouth Q and L



Design L - round, full bell mouth









Performance data

Type	Characteristic curve	Voltage	Operating point	Current	Motor input power	Speed	Suction side sound power level $L_{WA5}$ [dB]
		U [V]		I [A]	$P_1$ [W]	n [min <sup>-1</sup> ]	
FN045-4E_2F_7P2	I	230	①	2.10	480	1180	
		230*	②	1.75*	390*	1290*	70
		230	③	1.50	330	1340	72
	II	170	④	2.20	360	810	
		170	⑤	1.90	320	1030	65
		170	⑥	1.60	270	1170	69
	III	135	⑦	1.85	240	560	
		135	⑧	1.75	230	710	60
		135	⑨	1.65	220	870	64
	IV	110	⑩	1.55	160	430	
		110	⑪	1.55	160	530	53
		110	⑫	1.50	160	630	56

\*rated data

Fan ordering information

Design	W	D	L	K	H	I
Airflow direction A			Airflow direction V			
<b>9546 : חקט</b>						
						
Type	FN045-4EW.2F.A7P2	FN045-4ED.2F.A7P2	FN045-4EL.2F.A7P2	FN045-4EK.2F.V7P2	FN045-4EH.2F.V7P2	FN045-4EI.2F.V7P2
Article no.	141711	141709	141710	141715	141714	141713
Weight [kg]	6.30	6.10	9.50	6.60	9.50	6.10

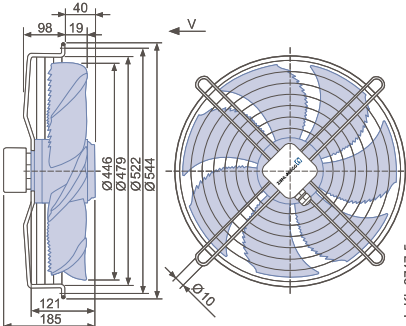
Control technology

<p>Frequency inverter Fcontrol 1~</p>  <p>Page 552</p>	<p>Motor protection units 1~</p>  <p>Page 596</p>	<p>Transformer-based controllers 1~</p>  <p>Page 587</p>	<p>Electronic voltage controllers 1~</p>  <p>Page 562</p>
---	--	---	--

9546 : חקט

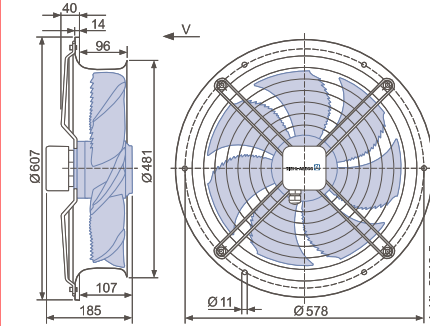
Airflow direction V

Design K - axial bolted, mounted for short bell mouth E



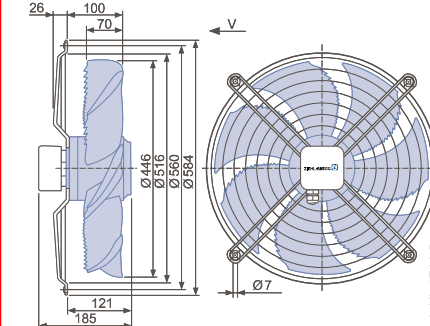
L-KL-2747-5

Design H - pipe sockets with a flange



L-KL-2746-5

Design I - axial bolted, mounting for bell mouth flange for pipe socket H or full bell mouth Q or L



L-KL-2744-5