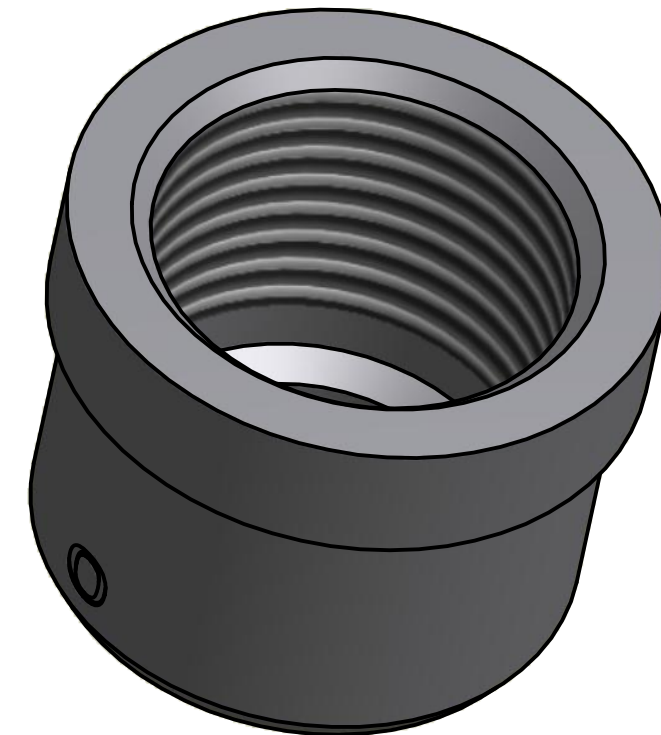
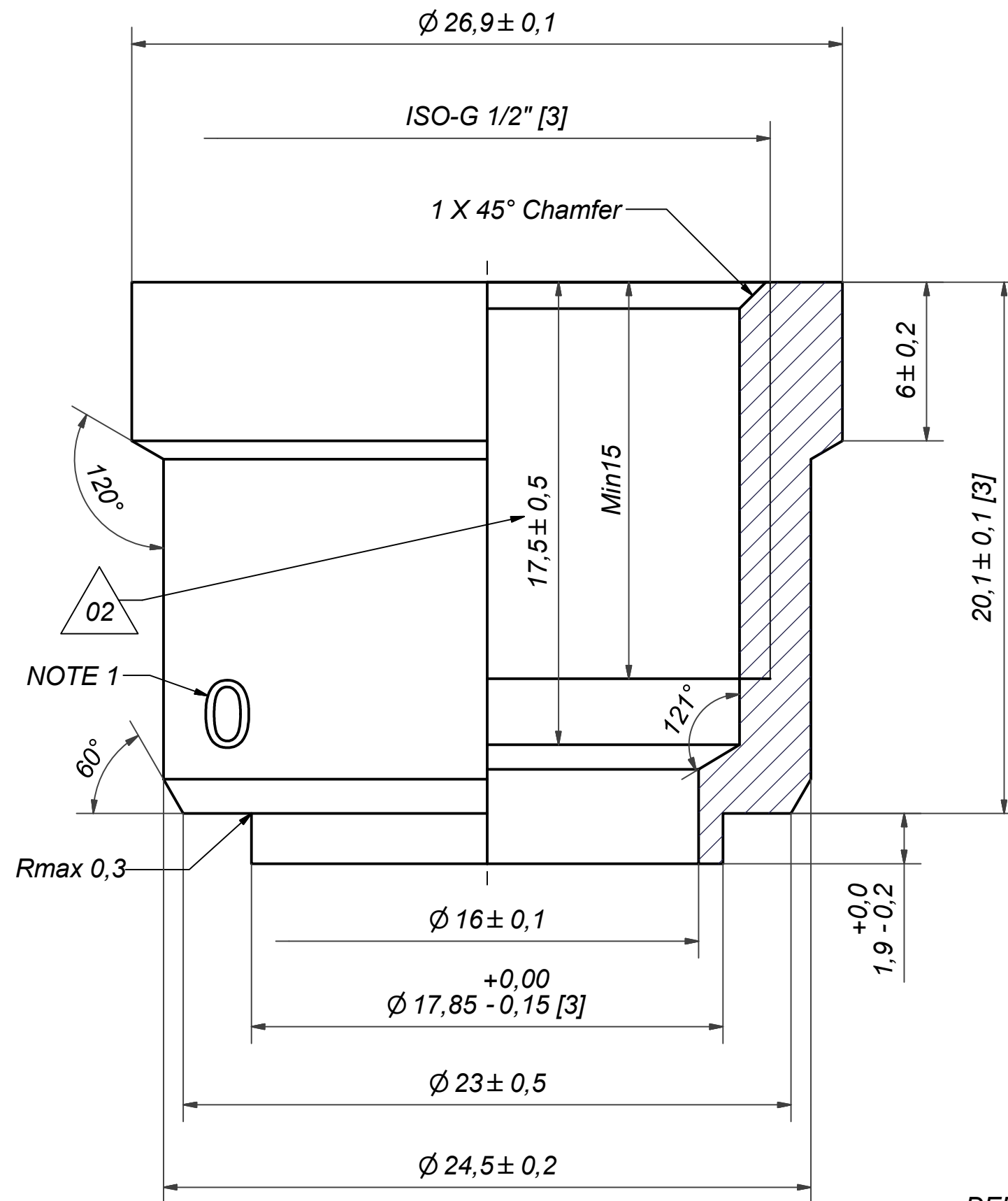


Rev No	Alteration	Date	Checked	Approved
02	CHANGED DESIGN ACCORDING TO RD101145	2014-10-15	SKDS	PDM



© Company Confidential, Property of SWEP International AB

NOTE 2: [3] CRITICAL / SPECIAL CHARACTERISTIC TO BE FOLLOWED

NOTE 1: MARKING TEXT "0" FOR IDENTIFICATION ONLY
PRESENT AT 2 PLACES 180° FROM EACH OTHER
0 = 304 MATERIAL

DEBURR SHARP EDGES; MAX 0,4

ACCORDING TO MQS
MATERIAL

Drawn	Checked	Approved	Created Date	General geometrical tolerancing ISO 2768:	General surface finish R_a :	Scale	Paper size
inap	PDM	PDM	2011-05-05			-	A3
			Title				
			ISO-G 1/2" INT				
			Article number	Design Type	Drawing number	Revision	Sheet
			CD	CD	CD001447	02	1 (1)