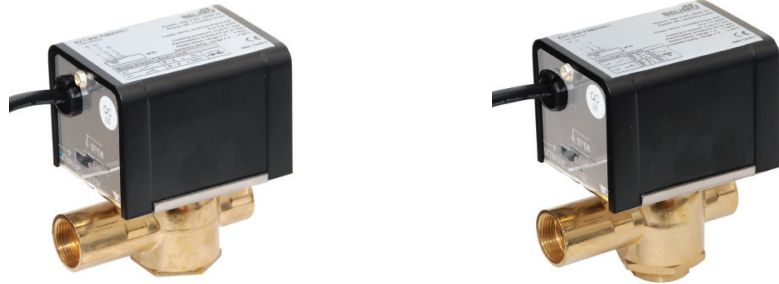


2- and 3-way zone valves with rotary actuator

- Nominal voltage AC 230 V
- Open/Close control
- Deenergised NC, valve closed
- Inverted Flare 5/8"



Overview of types

	Type	k_{vs}	DN	IFL	Δp_s	Weight
2-way valves	EXT-SW-F582V4C1	0,9 m ³ /h	15 mm	5/8"	5,1 bar	1,0 kg
	EXT-SW-F582V4C2	2,2 m ³ /h	15 mm	5/8"	3,4 bar	1,0 kg
	EXT-SW-F582V4C3	3,0 m ³ /h	15 mm	5/8"	2,0 bar	1,0 kg
3-way valves	EXT-SW-F583V4C1	1,3 m ³ /h	15 mm	5/8"	5,1 bar	1,05 kg
	EXT-SW-F583V4C2	2,6 m ³ /h	15 mm	5/8"	3,4 bar	1,05 kg
	EXT-SW-F583V4C3	3,4 m ³ /h	15 mm	5/8"	2,0 bar	1,05 kg

Technical data

Valve data	k_{vs}	See «Overview of types»	
	DN	See «Overview of types»	
	Pipe connector	Inverted Flare	
	Pressure	Rated pressure p_s	21 bar
		Closing pressure Δp_s	See «Overview of types»
	Media	Cold and hot water Water with max 50% volume of glycol	
	Leakage rate B – A (2-way), AB – B (3-way)	1 (tight)	
Materials	Valve body	Forged brass	
	Spindle	Nickel-plated brass	
	Seat	Brass	
	Seal	NBR	
Electrical data actuator	Nominal voltage	AC 230 V, 50/60 Hz	
	Power consumption	In operation	6.5 W
		For wire sizing	7 VA
Connection	Cable 50 cm, 3 x 0.75 mm ²		
Functional data actuator	Manual override	Yes (permanent)	
	Running time	Motor	<18 s
		Spring-return	<5 s
	Sound power level	<45 dB (A) when the valve is closing	
Safety	Protection class	I Protective earth \perp	
	Degree of protection	IP20	
	EMC	CE according to 2004/108/EC	
	Low-voltage directive	CE according to 2006/95/EC	
	Control pollution degree	2	
	Ambient temperature	0 ... +60 °C	
	Media temperature	+2 ... +93 °C (in valve)	
	Non-operating temperature	-40 ... +71 °C	
	Ambient humidity	93% r.H., non-condensating	
	Maintenance	Maintenance-free	
	Dimensions / Weight	Dimensions	See «Dimensions»
		Weight	See «Overview of types»

Safety notes



- The positioning devices have been designed for use in stationary heating, ventilation and air conditioning systems and are not allowed to be used outside the specified field of application, especially in aircraft or in any other airborne means of transport.
- Caution: Power supply voltage !
- It may only be installed by suitably trained personnel. Any legal regulations or regulations issued by authorities must be observed during assembly.
- The device may only be opened at the manufacturer's site. It does not contain any parts that can be replaced or repaired by the user.
- The cable must not be removed from the device.
- The device contains electrical and electronic components and is not allowed to be disposed of as household refuse. All locally valid regulations and requirements must be observed.
- Built-in component, protection against electrical shock and other hazards must be evaluated in the end assembly.

Product features

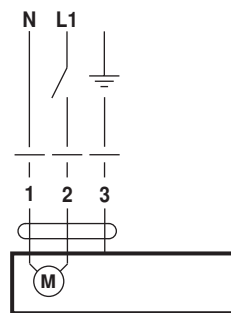
Combination valve/actuators Valve and actuator will be delivered as one unit.

Replacement actuator EXT-SW-V4

Electrical installation

Wiring diagram

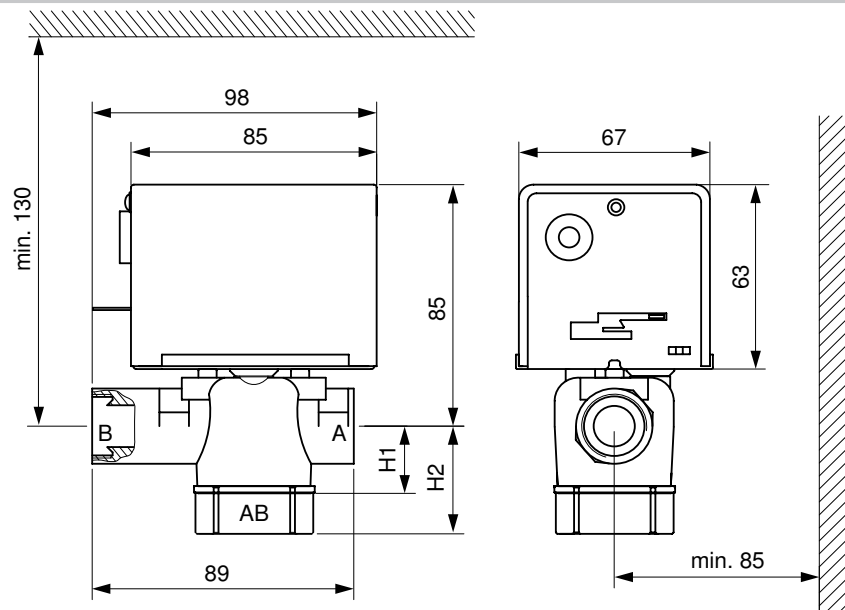
Note
Caution: Power supply voltage !



Rotary actuator	Rotary valve	
L1	B - A = 0%	
L1	B - A = 100%	
Rotary actuator	Rotary valve	
L1	AB - B = 0%	
	AB - A = 100%	
	B - A = 0%	
L1	AB - B = 100%	
	AB - A = 0%	
	B - A = 0%	

Dimensions [mm]

Dimensional drawings



Type	DN	IFL	H1	H2
EXT-SW-F582V4C..	15	5/8"	24	-
EXT-SW-F583V4C..	15	5/8"	-	37

Warranty period

Belimo Trade Selection products are assembled by a third party and meet our specifications. Belimo Trade Selection products are covered by our general conditions of sale and are protected by a 2 years warranty from date of delivery.