

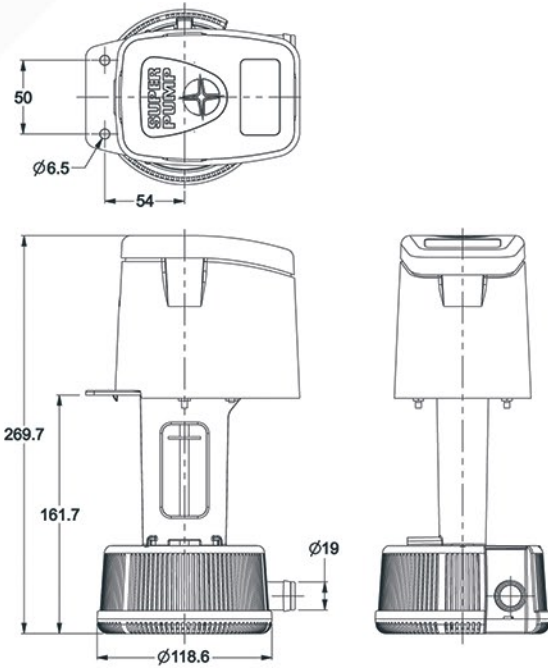


# SUPER PUMP™

## EVAPORATIVE COOLER PUMP



- ✓ Available in 3 models - SP280, SP380 & SP500
- ✓ Integrated filter basket
- ✓ Hi-flo motor cooling venturi
- ✓ Quick fit assembly bracket to suit specific evaporative cooler models
- ✓ Thermal overload protection (UL approved)
- ✓ Long life ball bearings
- ✓ Stainless steel shaft
- ✓ Continuous S1 duty
- ✓ Standard 240V 50 Hz
- ✓ EMC approved to AS/NZS CISPR14:2010
- ✓ Tested to AS/NZS 60335.1:2011 *Household and similar electrical appliances - Safety requirements*



### Nominal Performance Specifications

Model	Flow L/m @600mm	Flow L/m @1600m	Current	Power
SP280	24.0	16.5	0.38A	44W
SP380	29.5	23.0	0.44A	52W
SP500	38.0	30.5	0.57A	67W

Distributed by **PRO PIPE SUPPLIES** PTY LTD