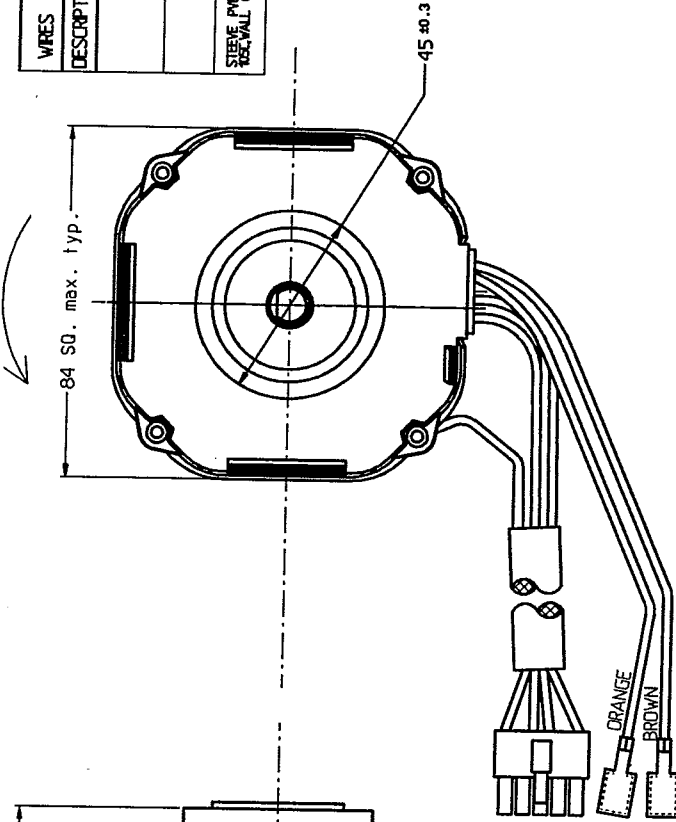
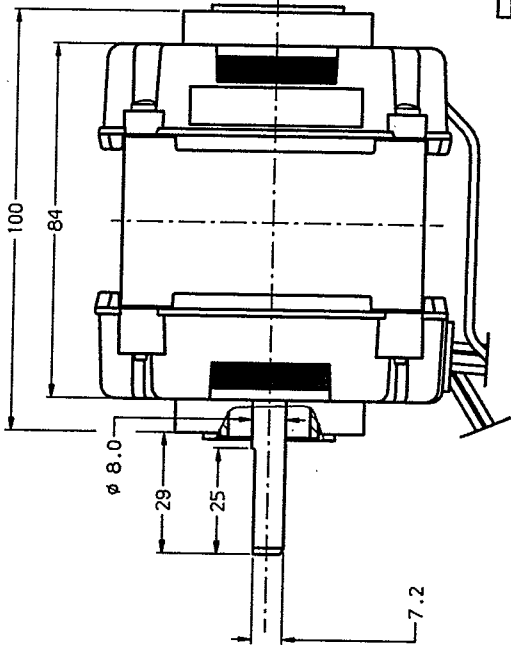
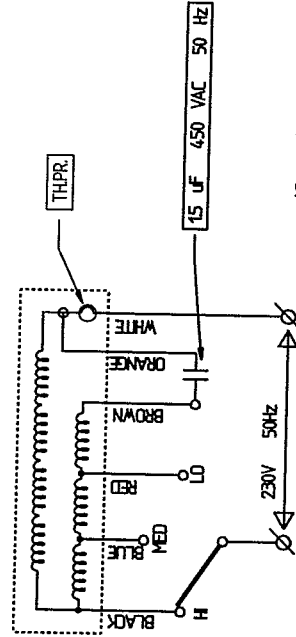
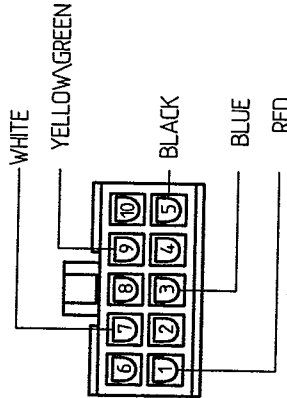


CCW



WIRES CAT.No	1619131	LEVAIRE
DESCRIPTION	COLOUR	WIRES END
	WHITE, BLACK, BLUE, RED, YELLOW/GREEN	MOLEX MINI FIT J6557
	ORANGE, BROWN	FASTON 250 FEMALE WITH PLASTIC COVER
STEELE PVC 2mm THICK WALL 0.3	BLACK	

TYPE 4723111 TNL-S-30 THPR DYNAIR
 W023 CAP:15UF/450V
 230V/50/PH0.30A CLB
 RPM:1360/1170/950
 DATE



If not otherwise specified, all dimension in mm

DRWG.3153		Motor assembly - TNL-S-30	
Drawn	MR	110301	Cat.No:
Approved			
Scale	1:2		Motor type 4723111 Stack4.0
Gen. tolerance	±10		Customer TADRAN Cat.No: 51301314900
File:	E-TNL-S-30VASSY	Vf: 72x40	Lev: Print: 310501