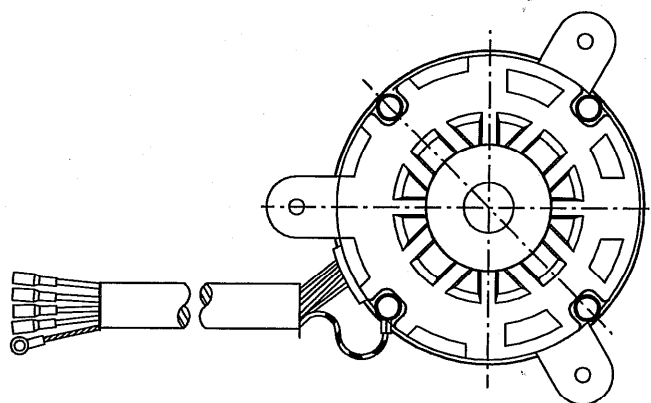
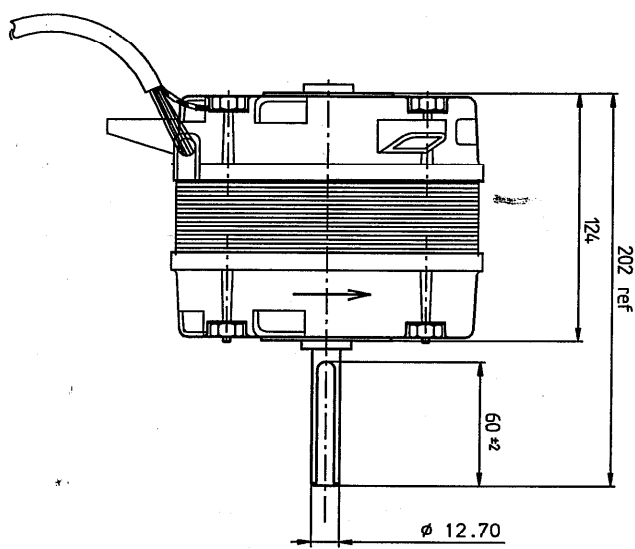
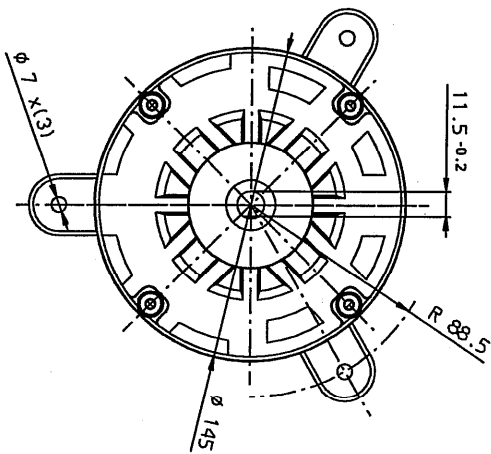
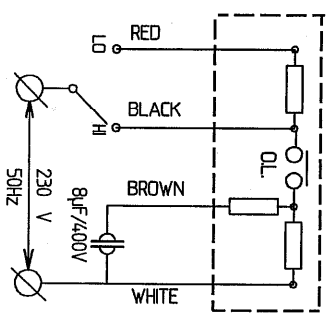


If not otherwise specified
all dimensions in mm.



WIRE CATALOG	16150222	LEV. WIRE	WIRE END
DESCRIPTION	COLOR	LENGTH	RING TERMINAL 95mm
	YELLOW/GREEN	1630-50	
	WHITE, BROWN, BLACK/RED	1600-50	FASTON 250FEM + COVER
LEADS			
phi 12mm PVC SLEEVE 105C	BLACK	1450-50	

COLOR: BLACK
 TYPE 6385022 OZCON 550 DYNAIR
 CL.B THPR 8uF/400V HP1/3
 1PH 230V 50Hz 1.6A
 RPM 920/750
 ← DATE



DRW/G4588		Motor assembly - OZCON 550	
Drawn	EL	Cat.No:	1315022
Approved		Motor type	6385022
Scale	1:2	Customer	PEREG
Gen. tolerance	±10	Cat.No:	291025
File:	E-GR638-5022.YASSY	VE:	5022
		PRNT:	04.04.02