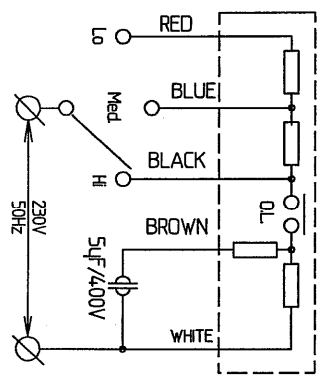
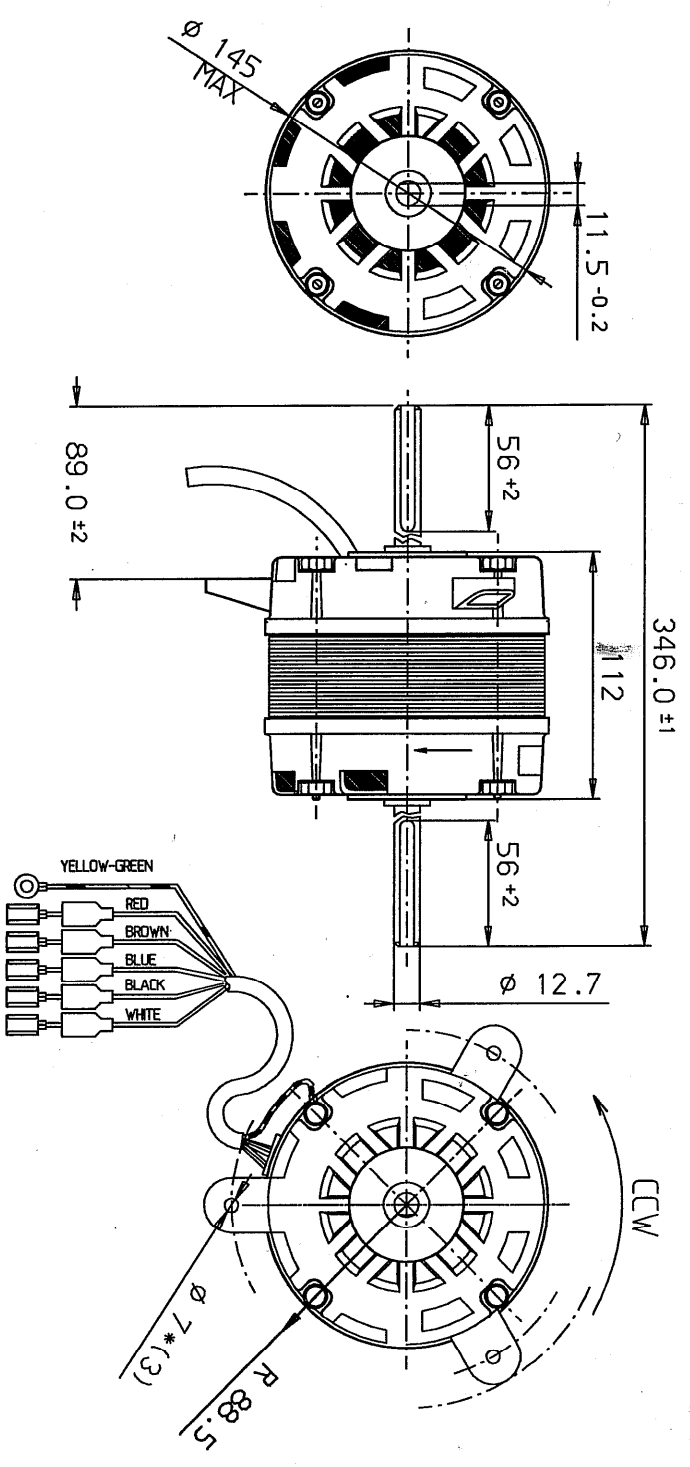


all dimensions in mm.



print color: BLACK

TYPE	6385804	AS-244	DYNAIR
IPH	230V	50Hz	1.7A
CLB	THPR	5µF/400V	HP:1/3
RPM	920/880/800	DATE	

WIRE CAT#	1615804	LEN. WIRE	WIRE ENDS
DESCRIPTION	COLOR	LENGTH	RING TERMINAL Ø5
	YELLOW/GREEN	960+50	
	WHITE/BLACK/BLUE	930+50	FASTON 250 FEMALE +COVER
	RED/BROWN		
Ø12 PVC SLEEVE 165	BLACK	830-30	

OLD: 31-037

DRV/G.	4804	Motor assembly	-AS-244
Drawn	EL	07/12/03	Cal No: 1315804
Approved			
Scale	1:2	Motor type	6385804
Gen. tolerance	±10	Customer	
File:	E-GR638-5804/ASSY	Vf:	5804
		PRINT:	07/12/03