

Data sheet

Ball Valve Type GBC



Danfoss ball valves, type GBC, are manually operated shut-off valves suitable for bi-directional flow.

The GBC valves are used in liquid, suction and hotgas lines in refrigeration and air conditioning systems.

The GBC bi-directional ball valves can be delivered with or without external access port.

The valves have one-piece wire seal cap to prevent unintentional cap removal or tampering between services.

Features

- Broad temperature range
Equally applicable to freezing, refrigeration and air conditioning applications.
- ¼ turn from fully open to fully closed.
- Full flow with minimum pressure drop.
- Ball status indicator on spindle top indicating open or closed position.
- Bi-directional flow, i.e. valve orientation is unimportant.
- Rotation stops at fully open and fully closed positions ensures precise positioning.
- One-piece seal cap for safety purpose
Complies with European Safety Directive EN 378 (Safety and environmental requirements).
- Laser welded construction.
- Burst-proof spindle design prevents any risk of ejection or explosion of the spindle.
- Holes for panel mounting.
- Selected Teflon and O-ring material to secure the best tightness and long lifetime
- The available access port helps in reducing cost if service of the system is necessary.

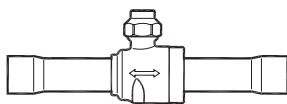
Approvals

 UL
 CE

Technical data

Refrigerants: R22, R134a, R407C, R507, R404A and R410A.
 GBC 6s-25s can be used in R32
 For other refrigerants, please contact Danfoss

Type	Temperature range	Max. working pressure (PS/MWP)
GBC 6s – 42s	-40 – 150 °C / -40 – 300 °F	45 bar / 650 psig
GBC 54s – 79s	-40 – 121 °C / -40 – 250 °F	45 bar / 650 psig

Ordering
GBC without access port, ODF/ODF


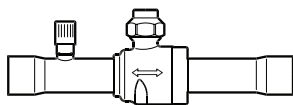
Type	Solder ODF/ODF connection		Solder ODF/ODF connection		K _v value ¹⁾ [m ³ /h]	C _v value ¹⁾ [gal/min]
	[in.]	Code no.	[mm]	Code no.		
GBC 6s	1/4	009G7020	6	009G7030	1.96	2.27
GBC 10s	3/8	009G7021	10	009G7031	5.68	6.57
GBC 12s	1/2	009G7022	12	009G7032	10.58	12.23
GBC 16s	5/8	009G7023	16	009G7023	14.11	16.31
GBC 18s	3/4	009G7024	18	009G7035	20.42	23.61
GBC 22s	7/8	009G7025	22	009G7025	28.17	32.56
GBC 28s	1 1/8	009G7026	28	009G7033	51.95	60.05
GBC 35s	1 3/8	009G7027	35	009G7027	80.89	93.51
GBC 42s	1 5/8	009G7028	42	009G7034	121.07	139.96
GBC 54s	2 1/8	009G7029	54	009G7029	224.96	260.05
GBC 67s	2 5/8	009G7959	–	–	310.00	358.36
GBC 67s RP	2 5/8	009G7036	–	–	245.78	284.12
GBC 79s	3 1/8	009G7980	–	–	700.00	809.20
GBC 79s RP	3 1/8	009G7037	–	–	222.52	257.23

RP = Reduced Port

¹⁾ CFD calculated values (Computational Fluid Dynamics)

The product can be supplied with and without access port both in inch and millimetre from 1/4 in. to 3 1/8 in. and 6-54 mm. All valves have holes for panel mounting.

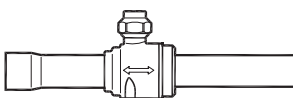
Ordering
(continued)



GBC with access port, ODF/ODF

Type	Solder ODF/ODF connection		Solder ODF/ODF connection		K _v value ¹⁾ [m ³ /h]	Cv value ¹⁾ [gal/min]
	[in.]	Code no.	[mm]	Code no.		
GBC 6s	1/4	009G7050	6	009G7060	1.96	2.27
GBC 10s	3/8	009G7051	10	009G7061	5.68	6.57
GBC 12s	1/2	009G7052	12	009G7062	10.58	12.23
GBC 16s	5/8	009G7053	16	009G7053	14.11	16.31
GBC 18s	3/4	009G7054	18	009G7065	20.42	23.61
GBC 22s	7/8	009G7055	22	009G7055	28.17	32.56
GBC 28s	1 1/8	009G7056	28	009G7063	51.95	60.05
GBC 35s	1 3/8	009G7057	35	009G7057	80.89	93.51
GBC 42s	1 5/8	009G7058	42	009G7064	121.07	139.96
GBC 54s	2 1/8	009G7059	54	009G7059	224.96	260.05
GBC 67s	2 5/8	009G7960	-	-	310.00	358.36
GBC 67s RP	2 5/8	009G7066	-	-	245.78	284.12
GBC 79s	3 1/8	009G7981	-	-	700.00	809.20
GBC 79s RP	3 1/8	009G7067	-	-	222.52	257.23

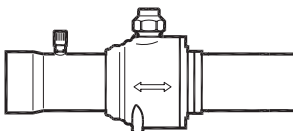
RP = Reduced Port



GBC without access port, ODF/ODM

Type	Solder ODF/ODM connection		Solder ODF/ODM connection		K _v value ¹⁾ [m ³ /h]	Cv value ¹⁾ [gal/min]
	[in.]	Code no.	[mm]	Code no.		
GBC 22s	7/8	009G7000	22	009G7000	28.17	32.56
GBC 28s	1 1/8	009G7001	-	-	51.95	60.05
GBC 35s	1 3/8	009G7002	35	009G7002	80.89	93.51
GBC 42s	1 5/8	009G7003	-	-	121.07	139.96
GBC 79s	3 1/8	009G7969	-	-	700.00	809.20

GBC with access port, ODF/ODM

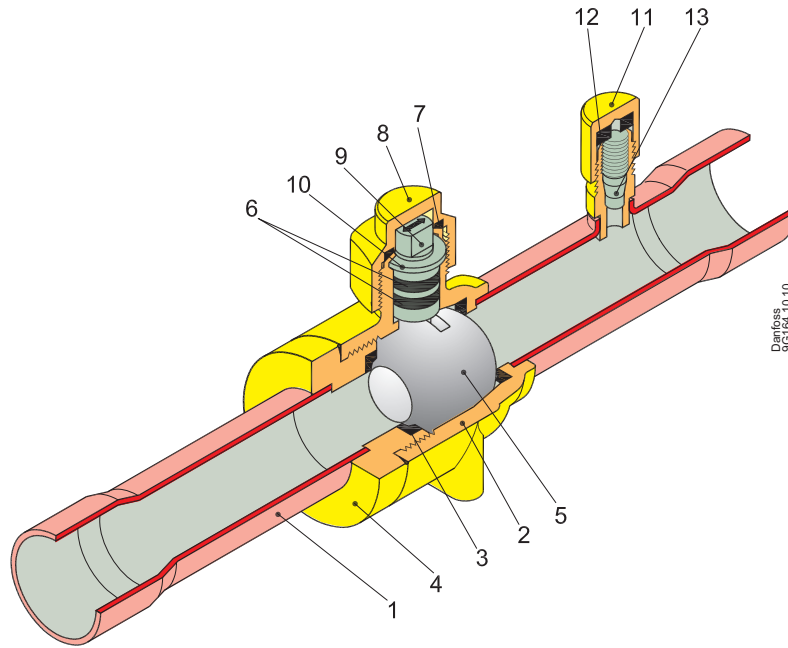


Type	Solder ODF/ODM connection		Solder ODF/ODM connection		K _v value ¹⁾ [m ³ /h]	Cv value ¹⁾ [gal/min]
	[in.]	Code no.	[mm]	Code no.		
GBC 28s	1 1/8	009G7097	-	-	51.95	60.05
GBC 35s	1 3/8	009G7098	35	009G7098	80.89	93.51
GBC 42s	1 5/8	009G7099	-	-	121.07	139.96
GBC 54s	2 1/8	009G7069	54	009G7069	224.96	260.05
GBC 67s	2 5/8	009G7958	-	-	310.00	358.36
GBC 79s	3 1/8	009G7970	-	-	700.00	809.20

¹⁾ CFD calculated values (Computational Fluid Dynamics)

Construction

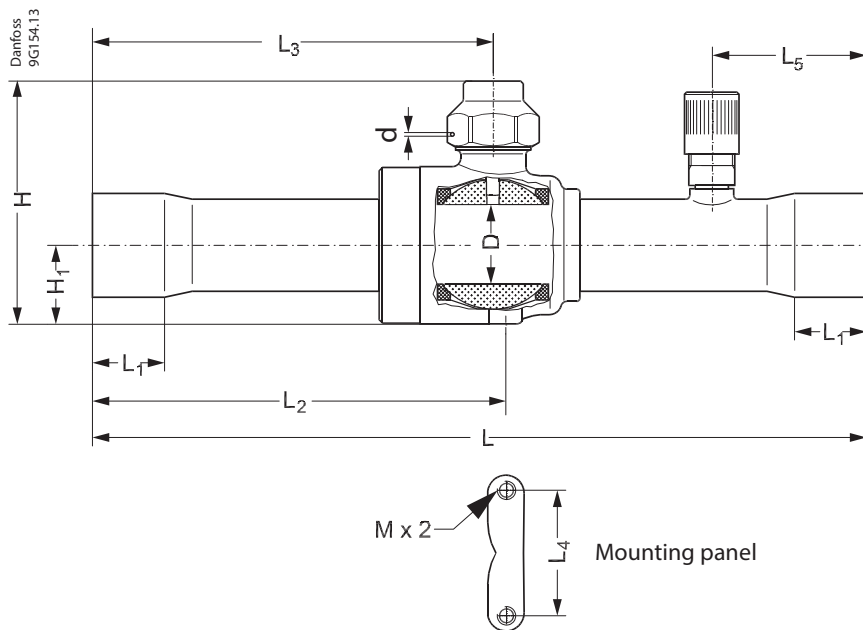
- 1. Connection
- 2. Laser-welded valve body
- 3. Ball seat (modified PTFE)
- 4. Valve adapter
- 5. Stainless steel ball
- 6. Double spindle O-ring seal (chloroprene)
- 7. Cap seal (PTFE)
- 8. Seal cap
- 9. Spindle
- 10. Support gasket
- 11. Access port cap
- 12. Seal gasket
- 13. Schraeder valve



Danfoss
9C164.10.10

Direct flow gives maximum through-flow with minimum pressure drop across valve. The combination of laser-welded valve body (2), ball seat/seal (3), double spindle O-ring seal (6), and cap seal (7) gives absolutely minimum leakage.

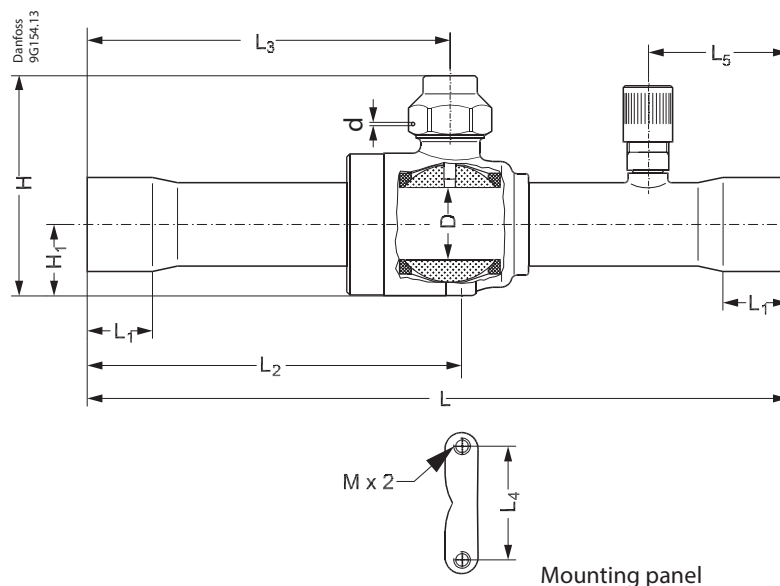
Dimensions and weights



Type	Connection type	Access port	Connection		H [mm]	H ₁ [mm]	L [mm]	L ₁ [mm]	L ₂ [mm]	L ₃ [mm]	L ₄ [mm]	L ₅ [mm]	M [mm]	D [mm]	d [mm]	Net weight [kg] ¹⁾
			[in.]	[mm]												
GBC 6s	ODF / ODF	No/Yes	1/4	6	53	15	139	7	75	73	22	31	M4 x 0.7	14.0	1.5	0.2
GBC 10s	ODF / ODF	No/Yes	3/8	-	53	15	139	8	75	73	22	31	M4 x 0.7	14.0	1.5	0.2
GBC 10s	ODF / ODF	No/Yes	-	10	53	15	139	9	75	73	22	31	M4 x 0.7	14.0	1.5	0.2
GBC 12s	ODF / ODF	No/Yes	1/2	12	53	15	161	10	86	84	22	31	M4 x 0.7	14.0	1.5	0.2
GBC 16s	ODF / ODF	No/Yes	5/8	16	53	15	161	12	86	84	22	31	M4 x 0.7	14.0	1.5	0.2
GBC 18s	ODF / ODF	No/Yes	3/4	18	61	19	185	14	99	96	30	37	M4 x 0.7	19.0	1.5	0.4
GBC 22s	ODF / ODF	No/Yes	7/8	22	61	19	185	17	99	96	30	37	M4 x 0.7	19.0	1.5	0.4
GBC 22s	ODF / ODM	No	7/8	22	61	19	201	17	86	83	30	-	M4 x 0.7	19.0	1.5	0.7
GBC 28s	ODF / ODF	No/Yes	1 1/8	28	81	25	208	20	112	108	38	44	M4 x 0.7	25.5	1.5	0.9
GBC 28s	ODF / ODM	Yes	1 1/8	-	81	25	208	20	112	108	38	44	M4 x 0.7	25.5	1.5	0.9
GBC 28s	ODF / ODM	No	1 1/8	-	81	25	228	20	112	108	38	-	M4 x 0.7	25.5	1.5	0.9
GBC 35s	ODF / ODF	No/Yes	1 3/8	35	91	30	251	25	136	130	48	44	M6 x 1.0	32.0	1.5	1.4
GBC 35s	ODF / ODM	Yes	1 3/8	35	91	30	251	25	136	130	48	44	M6 x 1.0	32.0	1.5	1.4
GBC 35s	ODF / ODM	No	1 3/8	35	91	30	280	25	136	130	48	-	M6 x 1.0	32.0	1.5	1.4
GBC 42s	ODF / ODF	No/Yes	1 5/8	42	110	35	281	29	151	145	55	56	M6 x 1.0	38.0	1.5	2.2
GBC 42s	ODF / ODM	Yes	1 5/8	-	110	35	281	29	151	145	55	56	M6 x 1.0	38.0	1.5	2.2
GBC 42s	ODF / ODM	No	1 5/8	-	110	35	295	29	151	145	55	-	M6 x 1.0	38.0	1.5	2.7
GBC 54s	ODF / ODF	No/Yes	2 1/8	54	132	46	305	34	167	157	74	56	M6 x 1.0	50.0	1.5	4.2
GBC 54s	ODF / ODM	Yes	2 1/8	54	132	46	305	34	167	157	74	56	M6 x 1.0	50.0	1.5	4.2
GBC 67s	ODF / ODF	No/Yes	2 5/8	-	149	55	343	38	188	172	84	72	M6 x 1.0	60.5	1.5	5.8
GBC 67s	ODF / ODM	Yes	2 5/8	-	149	55	346	38	191	175	84	72	M6 x 1.0	60.5	1.5	5.8
GBC 67s RP	ODF / ODF	No/Yes	2 5/8	-	132	46	305	37	167	157	74	56	M6 x 1.0	50.0	1.5	4.4
GBC 79s	ODF / ODF	No/Yes	3 1/8	-	169	65	416	38	230	214	86	80	M6 x 1.0	73.5	1.5	9.1
GBC 79s	ODF / ODM	No/Yes	3 1/8	-	169	65	406	38	220	204	86	80	M6 x 1.0	73.5	1.5	9.1
GBC 79s RP	ODF / ODF	No/Yes	3 1/8	-	132	46	305	42	167	157	74	56	M6 x 1.0	50.0	1.5	4.5

¹⁾ Calculated value
RP = Reduced Port

Dimensions [in.]
and weights [lbs]



Type	Connection type	Access port	Conn. [in.]	H [in.]	H1 [in.]	L [in.]	L ₁ [in.]	L ₂ [in.]	L ₃ [in.]	L ₄ [in.]	L ₅ [in.]	M [in.]	D [in.]	d [in.]	Net weight [lbs]
GBC 6s	ODF/ODF	No/Yes	1/4	2.09	0.59	5.47	0.27	2.95	2.87	0.87	1.22	M4 x 0.027	0.55	0.06	0.44
GBC 10s	ODF/ODF	No/Yes	3/8	2.09	0.59	5.47	0.31	2.95	2.87	0.87	1.22	M4 x 0.027	0.55	0.06	0.44
GBC 12s	ODF/ODF	No/Yes	1/2	2.09	0.59	6.34	0.39	3.39	3.31	0.87	1.22	M4 x 0.027	0.55	0.06	0.44
GBC 16s	ODF/ODF	No/Yes	5/8	2.09	0.59	6.34	0.47	3.39	3.31	0.87	1.22	M4 x 0.027	0.55	0.06	0.44
GBC 18s	ODF/ODF	No/Yes	3/4	2.40	0.75	7.28	0.55	3.90	3.78	1.18	1.46	M4 x 0.027	0.75	0.06	0.88
GBC 22s	ODF/ODF	No/Yes	7/8	2.40	0.75	7.28	0.67	3.90	3.78	1.18	1.46	M4 x 0.027	0.75	0.06	0.88
GBC 22s	ODF/ODM	No	7/8	2.40	0.75	7.91	0.67	3.39	3.27	1.18	-	M4 x 0.027	0.75	0.06	1.54
GBC 28s	ODF/ODF	No/Yes	1 1/8	3.19	0.98	8.19	0.79	4.41	4.25	1.50	1.73	M4 x 0.027	1.00	0.06	1.98
GBC 28s	ODF/ODM	Yes	1 1/8	3.19	0.98	8.19	0.79	4.41	4.25	1.50	1.73	M4 x 0.027	1.00	0.06	1.98
GBC 28s	ODF/ODM	No	1 1/8	3.19	0.98	8.98	0.79	4.41	4.25	1.50	-	M4 x 0.027	1.00	0.06	1.98
GBC 35s	ODF/ODF	No/Yes	1 3/8	3.58	1.18	9.88	0.98	5.35	5.12	1.89	1.73	M6 x 0.039	1.26	0.06	3.09
GBC 35s	ODF/ODM	Yes	1 3/8	3.58	1.18	9.88	0.98	5.35	5.12	1.89	1.73	M6 x 0.039	1.26	0.06	3.09
GBC 35s	ODF/ODM	No	1 3/8	3.58	1.18	11.02	0.98	5.35	5.12	1.89	-	M6 x 0.039	1.26	0.06	3.09
GBC 42s	ODF/ODF	No/Yes	1 5/8	4.33	1.38	11.06	1.14	5.94	5.71	2.17	2.20	M6 x 0.039	1.50	0.06	4.85
GBC 42s	ODF/ODM	Yes	1 5/8	4.33	1.38	11.06	1.14	5.94	5.71	2.17	2.20	M6 x 0.039	1.50	0.06	4.85
GBC 42s	ODF/ODM	No	1 5/8	4.33	1.38	11.61	1.14	5.94	5.71	2.17	-	M6 x 0.039	1.50	0.06	5.95
GBC 54s	ODF/ODF	No/Yes	2 1/8	5.20	1.81	12.00	1.34	6.57	6.18	2.91	2.20	M6 x 0.039	1.97	0.06	9.26
GBC 54s	ODF/ODM	Yes	2 1/8	5.20	1.81	12.00	1.34	6.57	6.18	2.91	2.20	M6 x 0.039	1.97	0.06	9.26
GBC 67s	ODF/ODF	No/Yes	2 5/8	5.87	2.17	13.51	1.50	7.41	6.77	3.31	2.83	M6 x 0.039	2.38	0.06	12.79
GBC 67s	ODF/ODM	Yes	2 5/8	5.87	2.17	13.63	1.50	7.52	6.89	3.31	2.83	M6 x 0.039	2.38	0.06	12.79
GBC 67s RP	ODF/ODF	No/Yes	2 5/8	5.20	1.81	12.00	1.46	6.57	6.18	2.91	2.20	M6 x 0.039	1.97	0.06	9.70
GBC 79s	ODF/ODF	No/Yes	3 1/8	6.66	2.56	16.37	1.50	9.05	8.42	3.39	3.15	M6 x 0.039	2.89	0.06	20.06
GBC 79s	ODF/ODM	No/Yes	3 1/8	6.66	2.56	15.98	1.50	8.66	8.03	3.39	3.15	M6 x 0.039	2.89	0.06	20.06
GBC 79s RP	ODF/ODF	No/Yes	3 1/8	5.20	1.81	12.00	1.65	6.57	6.18	2.91	2.20	M6 x 0.039	1.97	0.06	9.92

RP = Reduced Port

Danfoss can accept no responsibility for possible errors in catalogues, brochures and other printed material. Danfoss reserves the right to alter its products without notice. This also applies to products already on order provided that such alterations can be made without consequential changes being necessary in specifications already agreed. All trademarks in this material are property of the respective companies. Danfoss and the Danfoss logotype are trademarks of Danfoss A/S. All rights reserved.