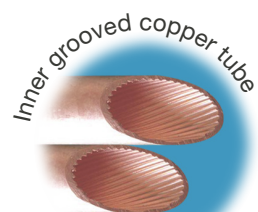
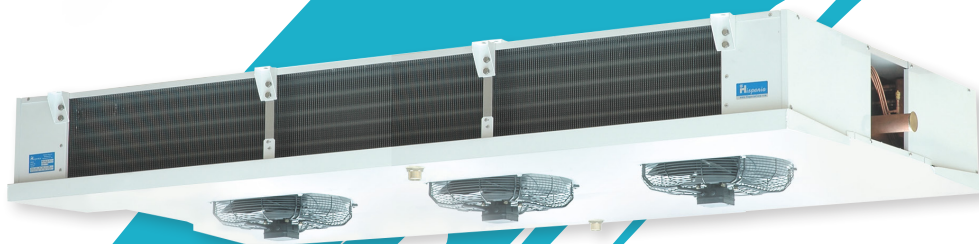


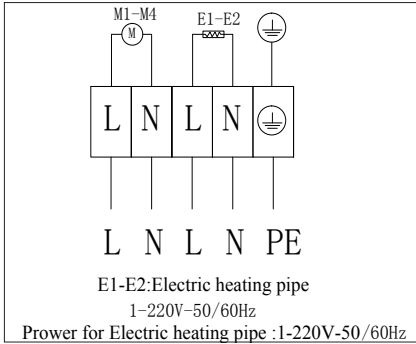
HED SERIES EVAPORATOR EVAPORADORES SERIE HED



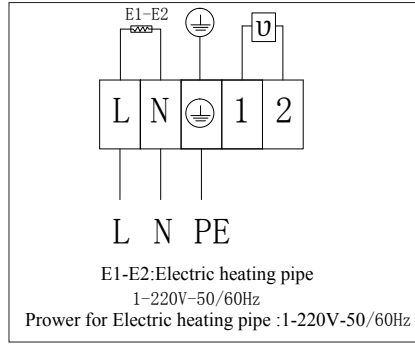
HED SERIES EVAPORATOR

EVAPORADORES SERIE HED

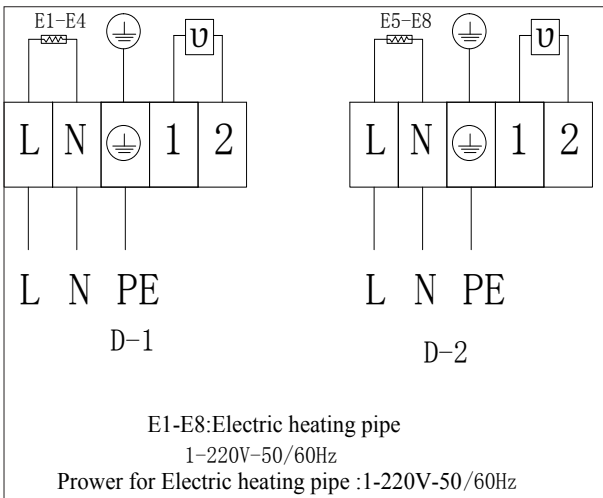
Defrost heating circuit diagram:/ Diagrama del circuito de calentamiento de descongelamiento:



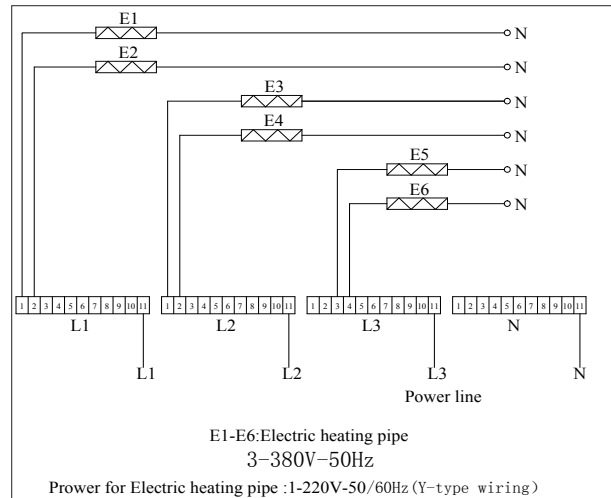
HED 250 D



HED 350 D



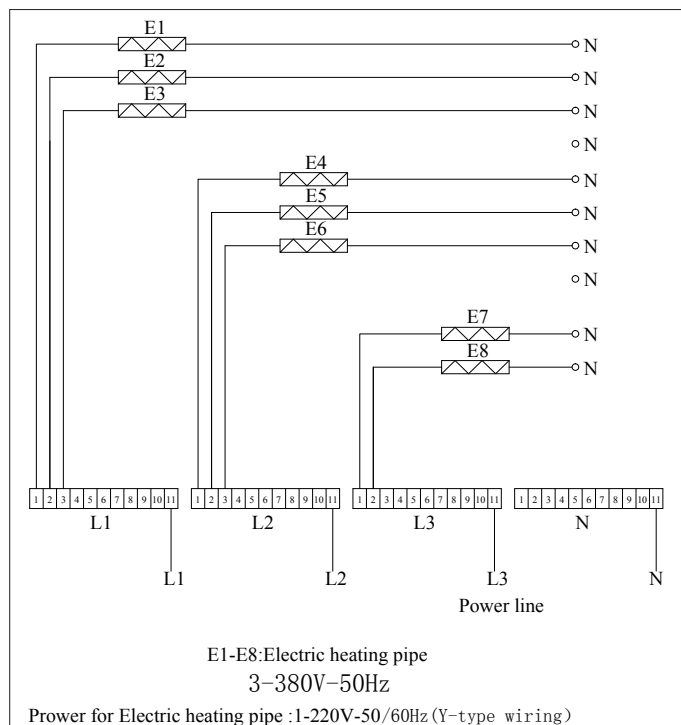
HED 400 D



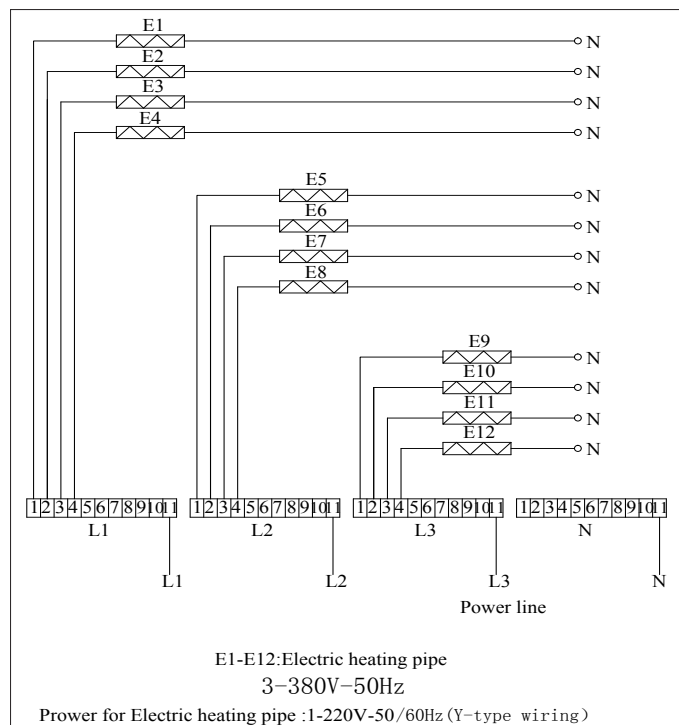
HED 450 D

HED SERIES EVAPORATOR

EVAPORADORES SERIE HED

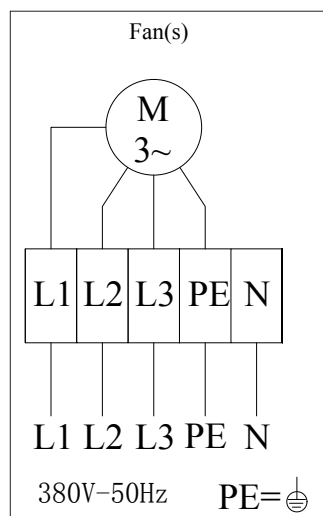
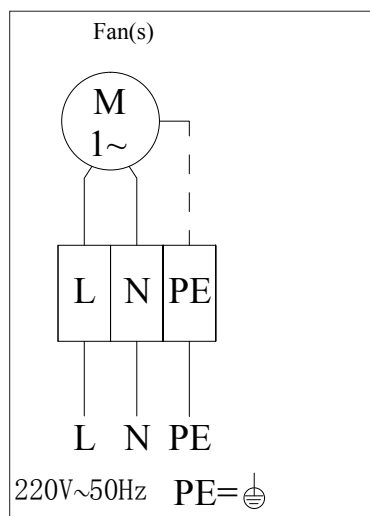


HED 500 D



HED 630 D

Fan motor circuit diagram: / Diagrama del circuito del motor del ventilador:



EVAPORATOR QUICK SELECTION TABLES

EVAPORADORES TABLA DE SELECCIÓN RÁPIDA

Cooling capacities as given in the tables are nominal capacities for wet conditions (Qn) in compliance with Eurovent regulations and **EN328**. These nominal values have been calculated from the standard (dry) condition Qst with the following formula: $Q_n = Q_{st} \times \text{correction factor}$.

Las capacidades de refrigeración indicadas en las tablas son capacidades nominales para condiciones húmedas (Qn) en conformidad con las normas Eurovent y **EN328**. Estos valores nominales se han calculado a partir de la condición estándar (seca) Qst con la siguiente fórmula: $Q_n = Q_{st} \times \text{factor de corrección}$.

| Standard condition/ Condición estándar | Air inlet temp. / Temperatura de entrada de aire (°C) | Evaporating temp./ Temp. Evaporación (°C) | Relative humidity/ Humedad relativa | Correction factor/ Factor de corrección |
|---|--|---|--|--|
| SC1 | 10 | 0 | 85% | 1.35 |
| SC2 | 0 | -8 | 85% | 1.15 |
| SC3 | -18 | -25 | 95% | 1.05 |
| SC4 | -25 | -31 | 95% | 1.01 |

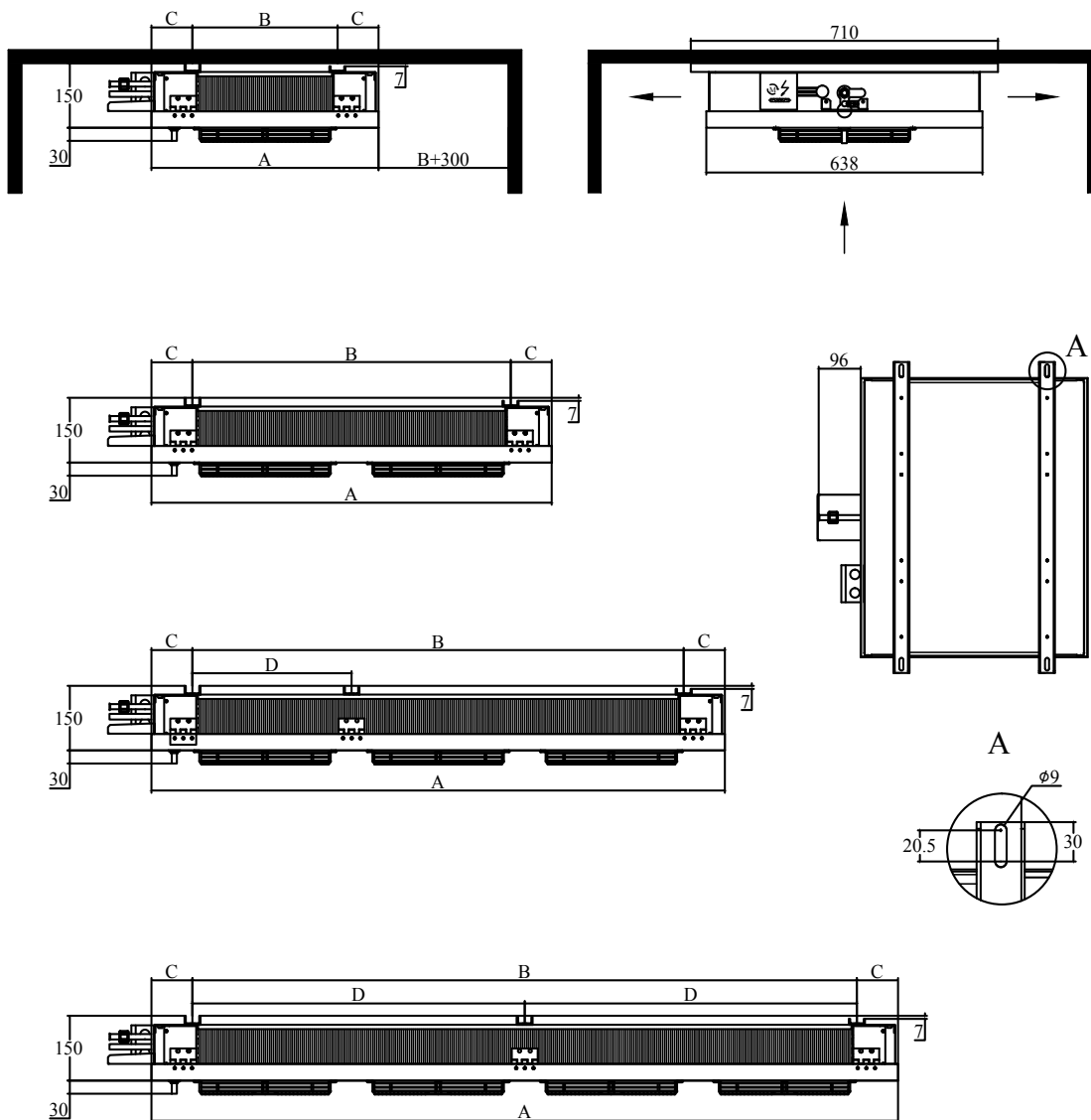
All nominal capacities are calculated with R404A. To get capacity with other refrigerants, multiply by the following correction factors R404A capacity in the same condition:

Todas las capacidades nominales se calculan con R404A. Para obtener capacidad con otros refrigerantes, multiplique por los siguientes factores de corrección la capacidad de R404A en la misma condición:

| Refrigerant Refrigerante | Correction factors (dew-point) Factor de corrección (punto de rocío) | | | |
|-----------------------------|---|------|------|------|
| | SC1 | SC2 | SC3 | SC4 |
| R407A | 1.19 | 1.24 | 1.28 | 1.32 |
| R407F | 1.19 | 1.24 | 1.28 | 1.35 |
| R507A | 0.97 | 0.97 | 0.97 | 0.97 |
| R22 | 0.97 | 0.97 | 0.97 | 0.97 |
| R134a | 0.93 | 0.91 | 0.85 | - |
| R450A | 0.93 | 0.92 | 0.88 | 0.84 |
| R513A | 0.92 | 0.91 | 0.89 | 0.87 |

HED MEDIUM PROFILE SERIES EVAPORATOR

EVAPORADORES SERIE HED PERFIL MEDIO



| Model / Modelo | Dimensions/Dimensiones(mm) | | | |
|-------------------|----------------------------|------|----|-------|
| | A | B | C | D |
| HED 2501... | 525 | 335 | 95 | - |
| HED 2502... | 925 | 735 | 95 | - |
| HED 2503... | 1325 | 1135 | 95 | 367.5 |
| HED 2504... | 1725 | 1535 | 95 | 367.5 |

HED MEDIUM PROFILE SERIES EVAPORATOR

EVAPORADORES SERIE HED PERFIL MEDIO

Fin spacing, Espacio entre aletas 4.5 mm, with heater/ Con resistencia, $Rt \geq 0^\circ\text{C}$

| Model / Modelo | Nominal Capacity / Capacidad Nominal (kw) | | Capacity / Capacidad (kw) | | Superficie/ Surface (m ²) | Tube Volume/ Volumen Interno (dm ³) | N.W/ Peso Neto (kg) | Connection/ Conexión (ø mm) | |
|-------------------|---|------------------------|---------------------------------|------------------------|---|---|------------------------------|-----------------------------------|-------------------|
| | t _e = -8°C | t _e = -25°C | t _e = -8°C | t _e = -25°C | | | | Inlet/ Entrada | Outlet/ Salida |
| | DT1=8K | DT1=7K | DT1=8K | DT1=7K | | | | | |
| HED 2501 04 4.5D | 1.68 | 1.00 | 1.46 | 0.95 | 4 | 1.1 | 12 | 12 | 12 |
| HED 2502 08 4.5D | 3.27 | 2.25 | 2.84 | 2.14 | 8 | 2.4 | 19 | 12 | 12 |
| HED 2503 12 4.5D | 5.43 | 3.82 | 4.72 | 3.64 | 12 | 3.7 | 28 | 12 | 19 |
| HED 2504 16 4.5D | 6.88 | 5.07 | 5.98 | 4.83 | 16 | 5.0 | 36 | 12 | 22 |

*Marks: Optional model without heater available / Nota: Modelo opcional sin el calentador disponible.

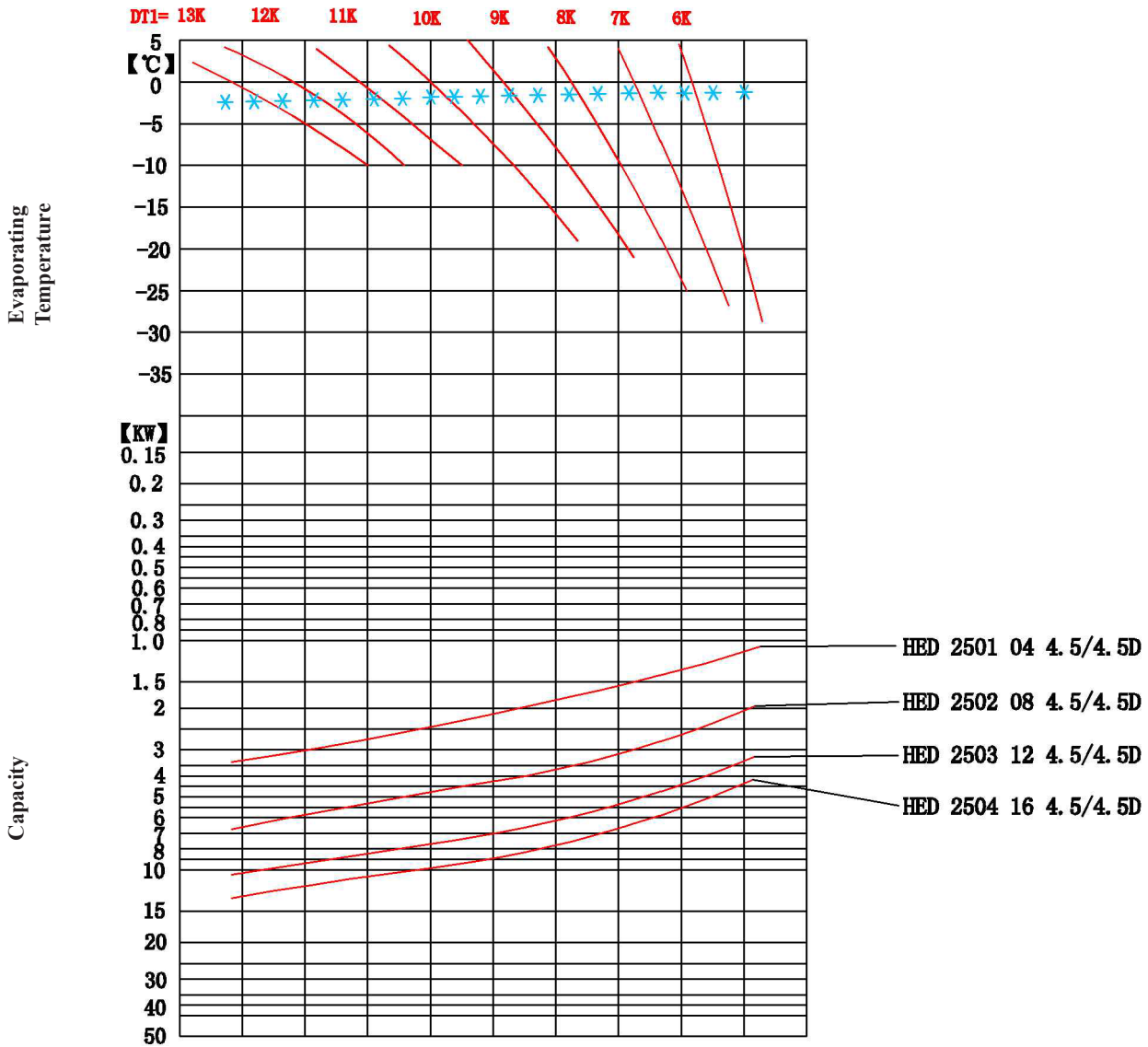
*Golden fins with highly anti-corrosion strength available / Aleta goldfin con alta resistencia a la corrosión disponible.

Electric data/ Datos eléctricos

| Model/ Modelo | Axial Fans/ Ventilador con motor axial | | | | | | | Electric Defrost/ Desescarche Eléctrico | |
|------------------|---|----|----------------------------------|---------------------------|-------------------------------|--|--------------------------------------|--|--------------|
| | Diameter Diámetro (Φ mm) | Nº | Voltage/ Voltaje (V, 50Hz) | Power/ Potencia (W) | Current/ Intensidad (A) | Air Flow/ Volumen de Aire (m ³ /h) | Air Throw/ Tiro de Aire (m) | Coil/ Aletas (W) | Total (W) |
| HED 2501 04 4.5D | 250 | 1 | 1~220V | 44 | 0.20 | 650 | 2 × 2 | 2 × 400 | 800 |
| HED 2502 08 4.5D | 250 | 2 | 1~220V | 88 | 0.40 | 1300 | 2 × 3 | 2 × 825 | 1650 |
| HED 2503 12 4.5D | 250 | 3 | 1~220V | 132 | 0.60 | 1950 | 2 × 4 | 2 × 1250 | 2500 |
| HED 2504 16 4.5D | 250 | 4 | 1~220V | 176 | 0.80 | 2600 | 2 × 5 | 2 × 1575 | 3150 |

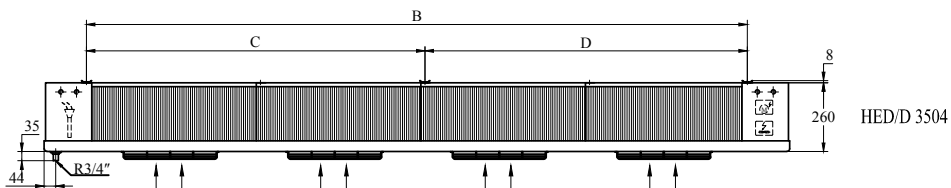
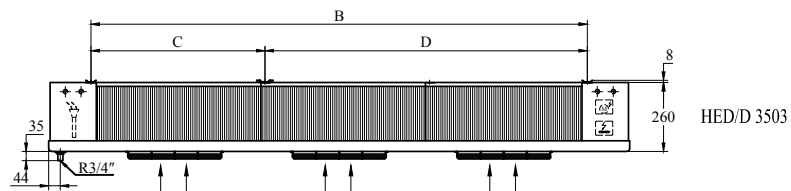
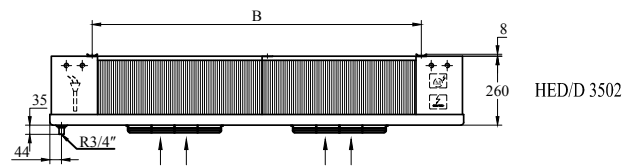
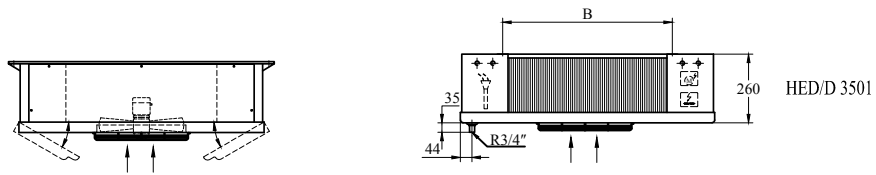
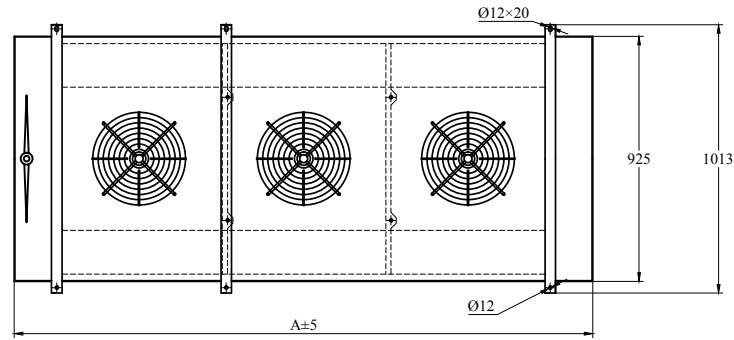
HED MEDIUM PROFILE SERIES EVAPORATOR

EVAPORADORES SERIE HED PERFIL MEDIO



HED MEDIUM PROFILE SERIES EVAPORATOR

EVAPORADORES SERIE HED PERFIL MEDIO



| Model / Modelo | Dimensions/Dimensiones(mm) | | | |
|-------------------|----------------------------|------|------|------|
| | A | B | C | D |
| HED 3501... | 963 | 640 | - | - |
| HED 3502... | 1565 | 1242 | - | - |
| HED 3503... | 2167 | 1844 | 640 | 1204 |
| HED 3504... | 2769 | 2446 | 1242 | 1204 |

HED MEDIUM PROFILE SERIES EVAPORATOR

EVAPORADORES SERIE HED PERFIL MEDIO

Fin spacing, Espacio entre aletas 4 mm, with heater/ Con resistencia, $R_t \geq 0^\circ\text{C}$

| Model / Modelo | Nominal Capacity / Capacidad Nominal (kw) | | Capacity / Capacidad (kw) | | Superficie/ Surface (m ²) | Tube Volume/ Volumen Interno (dm ³) | N.W/ Peso Neto (kg) | Connection/ Conexión (ø mm) | |
|-------------------|---|--------------------------|---------------------------------|--------------------------|---|---|------------------------------|-----------------------------------|-------------------|
| | $t_e = 0^\circ\text{C}$ | $t_e = -8^\circ\text{C}$ | $t_e = 0^\circ\text{C}$ | $t_e = -8^\circ\text{C}$ | | | | Inlet/ Entrada | Outlet/ Salida |
| | DT1=10K | DT1=8K | DT1=10K | DT1=8K | | | | | |
| HED 3501 16 4LD | 3.17 | 2.98 | 2.76 | 2.59 | 16 | 3.4 | 35 | 12 | 22 |
| HED 3501 16 4ND | 4.66 | 4.81 | 4.05 | 4.18 | 16 | 3.4 | 35 | 12 | 22 |
| HED 3502 31 4LD | 6.28 | 5.93 | 5.46 | 5.16 | 31 | 6.4 | 60 | 12 | 22 |
| HED 3502 31 4ND | 9.12 | 9.53 | 7.93 | 8.29 | 31 | 6.4 | 60 | 12 | 22 |
| HED 3503 47 4LD | 9.26 | 8.87 | 8.05 | 7.71 | 47 | 9.3 | 85 | 15 | 28 |
| HED 3503 47 4ND | 13.48 | 14.09 | 11.72 | 12.25 | 47 | 9.3 | 85 | 15 | 28 |
| HED 3504 62 4LD | 12.29 | 11.87 | 10.69 | 10.32 | 62 | 12.3 | 110 | 15 | 28 |
| HED 3504 62 4ND | 18.00 | 18.72 | 15.65 | 16.28 | 62 | 12.3 | 110 | 15 | 28 |

*Marks: Optional model without heater available / Nota: Modelo opcional sin el calentador disponible.

*Golden fins with highly anti-corrosion strength available / Aleta goldfin con alta resistencia a la corrosión disponible.

LD - Low fan speed 1080 RPM

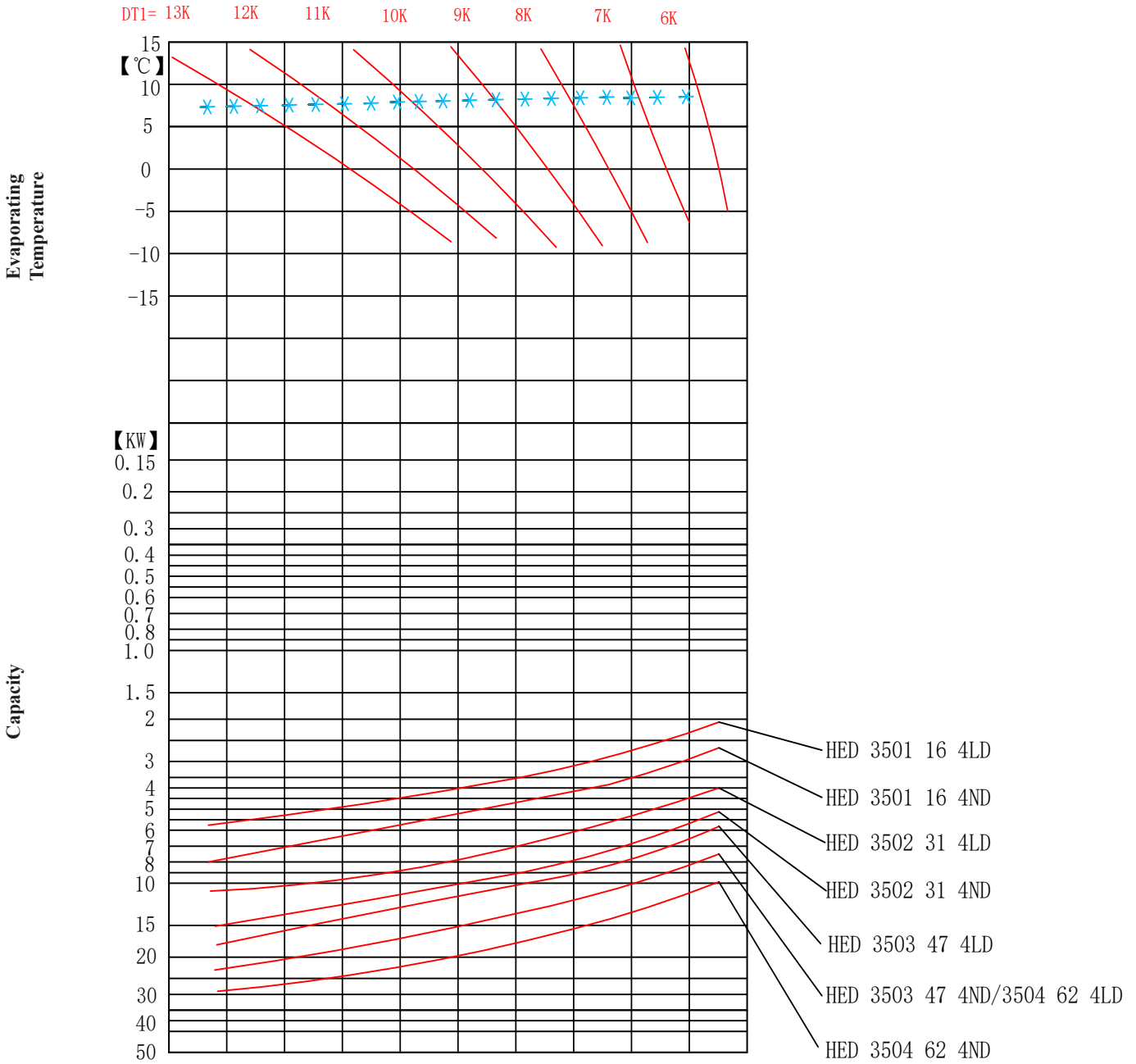
ND - Standard speed 1360 RPM

Electric data/ Datos eléctricos

| Model/ Modelo | Axial Fans/ Ventilador con motor axial | | | | | | Electric Defrost/ Desescarche Eléctrico | | |
|------------------|---|----|----------------------------------|---------------------------|-------------------------------|--|--|------------------------|--------------|
| | Diameter Diámetro (Φ mm) | Nº | Voltage/ Voltaje (V, 50Hz) | Power/ Potencia (W) | Current/ Intensidad (A) | Air Flow/ Volumen de Aire (m ³ /h) | Air Throw/ Tiro de Aire (m) | Coil/ Aletas (W) | Total (W) |
| HED 3501 16 4LD | 350 | 1 | 1~220V | 94 | 0.43 | 720 | 2 × 6 | 2 × 750 | 1500 |
| HED 3501 16 4ND | 350 | 1 | 1~220V | 150 | 0.73 | 1430 | 2 × 9 | 2 × 750 | 1500 |
| HED 3502 31 4LD | 350 | 2 | 1~220V | 188 | 0.86 | 1440 | 2 × 7 | 2 × 1250 | 2500 |
| HED 3502 31 4ND | 350 | 2 | 1~220V | 300 | 1.46 | 2860 | 2 × 10 | 2 × 1250 | 2500 |
| HED 3503 47 4LD | 350 | 3 | 1~220V | 282 | 1.29 | 2160 | 2 × 8 | 2 × 1750 | 3500 |
| HED 3503 47 4ND | 350 | 3 | 1~220V | 450 | 2.19 | 4290 | 2 × 11 | 2 × 1750 | 3500 |
| HED 3504 62 4LD | 350 | 4 | 1~220V | 376 | 1.72 | 2880 | 2 × 9 | 2 × 2650 | 5300 |
| HED 3504 62 4ND | 350 | 4 | 1~220V | 600 | 2.92 | 5720 | 2 × 12 | 2 × 2650 | 5300 |

HED MEDIUM PROFILE SERIES EVAPORATOR

EVAPORADORES SERIE HED PERFIL MEDIO



HED MEDIUM PROFILE SERIES EVAPORATOR

EVAPORADORES SERIE HED PERFIL MEDIO

Fin spacing, Espacio entre aletas 6 mm, with heater/ Con resistencia, Rt \geq -18°C

| Model / Modelo | Nominal Capacity / Capacidad Nominal (kw) | | Capacity / Capacidad (kw) | | Superficie/ Surface (m ²) | Tube Volume/ Volumen Interno (dm ³) | N.W/ Peso Neto (kg) | Connection/ Conexión (ø mm) | |
|-------------------|---|-----------------------|---------------------------------|-----------------------|---|---|------------------------------|-----------------------------------|-------------------|
| | t _e = 0°C | t _e = -8°C | t _e = 0°C | t _e = -8°C | | | | Inlet/ Entrada | Outlet/ Salida |
| | DT1=10K | DT1=8K | DT1=10K | DT1=8K | | | | | |
| HED 3501 11 6LD | 2.76 | 2.78 | 2.40 | 2.42 | 11 | 3.4 | 33 | 12 | 22 |
| HED 3501 11 6ND | 3.89 | 4.24 | 3.38 | 3.69 | 11 | 3.4 | 33 | 12 | 22 |
| HED 3502 22 6LD | 5.37 | 5.54 | 4.67 | 4.82 | 22 | 6.4 | 57 | 12 | 22 |
| HED 3502 22 6ND | 7.59 | 8.36 | 6.60 | 7.27 | 22 | 6.4 | 57 | 12 | 22 |
| HED 3503 32 6LD | 7.90 | 8.17 | 6.87 | 7.1 | 32 | 9.3 | 78 | 15 | 28 |
| HED 3503 32 6ND | 11.33 | 12.48 | 9.85 | 10.85 | 32 | 9.3 | 78 | 15 | 28 |
| HED 3504 43 6LD | 10.59 | 10.94 | 9.21 | 9.51 | 43 | 12.3 | 102 | 15 | 28 |
| HED 3504 43 6ND | 18.00 | 16.48 | 13.07 | 14.33 | 43 | 12.3 | 102 | 15 | 28 |

*Marks: Optional model without heater available / Nota: Modelo opcional sin el calentador disponible.

*Golden fins with highly anti-corrosion strength available / Aleta goldfin con alta resistencia a la corrosión disponible.

LD - Low fan speed 1080 RPM

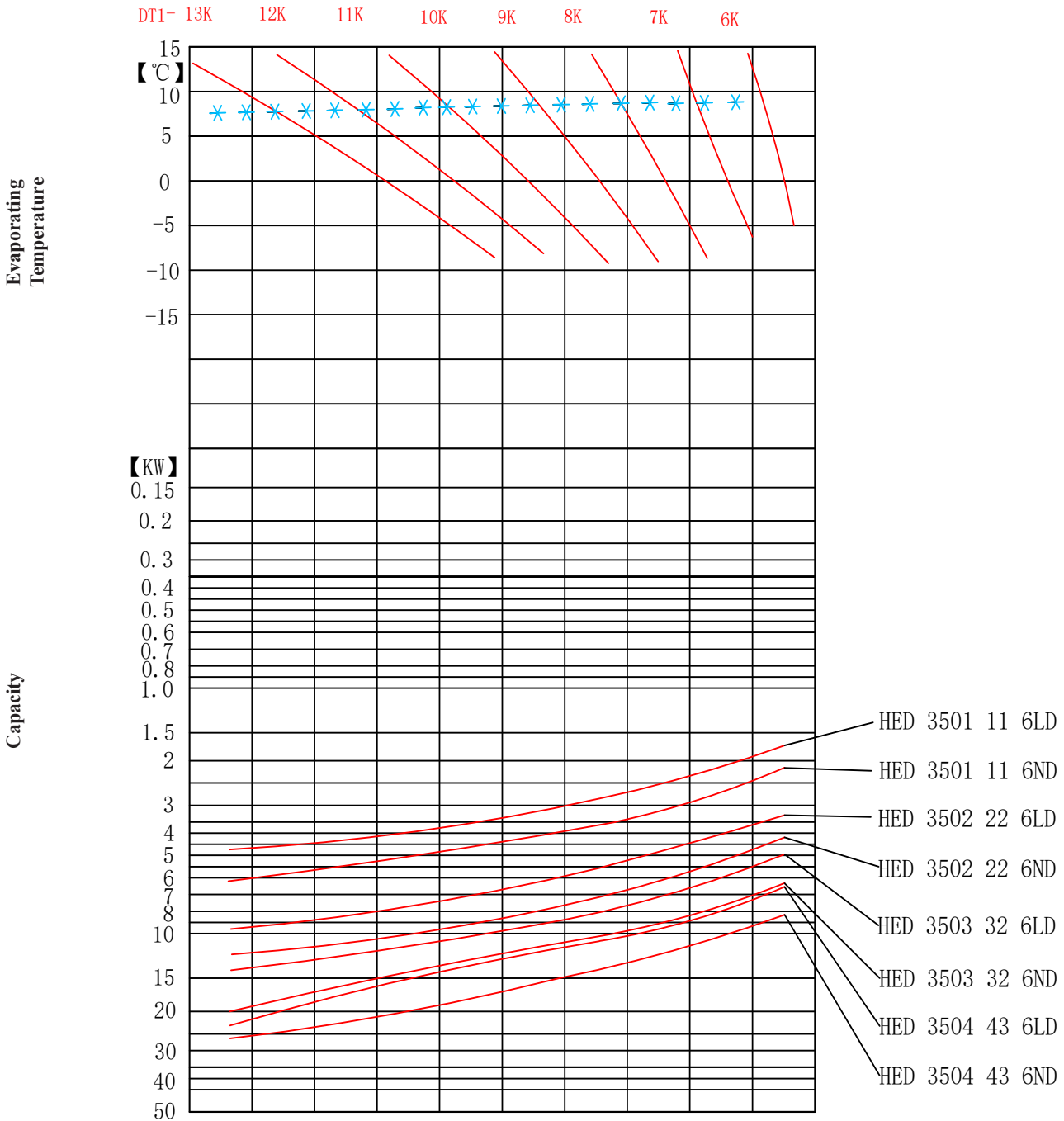
ND - Standard speed 1360 RPM

Electric data/ Datos eléctricos

| Model/ Modelo | Axial Fans/ Ventilador con motor axial | | | | | | Electric Defrost/ Desescarche Eléctrico | | |
|------------------|---|----|----------------------------------|---------------------------|-------------------------------|--|--|------------------------|--------------|
| | Diameter Diámetro (Φ mm) | Nº | Voltage/ Voltaje (V, 50Hz) | Power/ Potencia (W) | Current/ Intensidad (A) | Air Flow/ Volumen de Aire (m ³ /h) | Air Throw/ Tiro de Aire (m) | Coil/ Aletas (W) | Total (W) |
| HED 3501 11 6LD | 350 | 1 | 1~220V | 94 | 0.43 | 800 | 2 × 6 | 2 × 750 | 1500 |
| HED 3501 11 6ND | 350 | 1 | 1~220V | 150 | 0.73 | 1530 | 2 × 9 | 2 × 750 | 1500 |
| HED 3502 22 6LD | 350 | 2 | 1~220V | 188 | 0.86 | 1600 | 2 × 7 | 2 × 1250 | 2500 |
| HED 3502 22 6ND | 350 | 2 | 1~220V | 300 | 1.46 | 3060 | 2 × 10 | 2 × 1250 | 2500 |
| HED 3503 32 6LD | 350 | 3 | 1~220V | 282 | 1.29 | 2400 | 2 × 8 | 2 × 1750 | 3500 |
| HED 3503 32 6ND | 350 | 3 | 1~220V | 450 | 2.19 | 4590 | 2 × 11 | 2 × 1750 | 3500 |
| HED 3504 43 6LD | 350 | 4 | 1~220V | 376 | 1.72 | 3200 | 2 × 9 | 2 × 2650 | 5300 |
| HED 3504 43 6ND | 350 | 4 | 1~220V | 600 | 2.92 | 6120 | 2 × 12 | 2 × 2650 | 5300 |

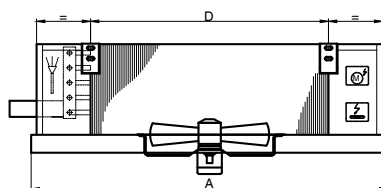
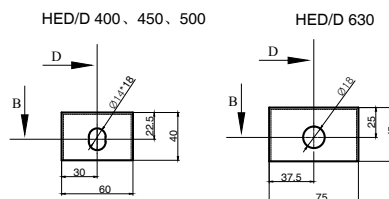
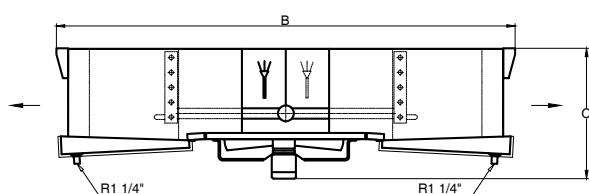
HED MEDIUM PROFILE SERIES EVAPORATOR

EVAPORADORES SERIE HED PERFIL MEDIO

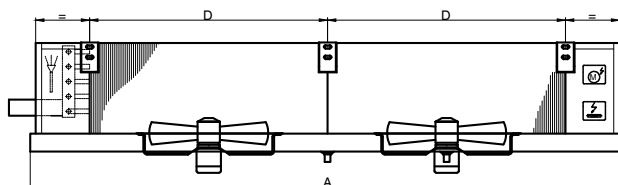


HED HIGH PROFILE SERIES EVAPORATOR

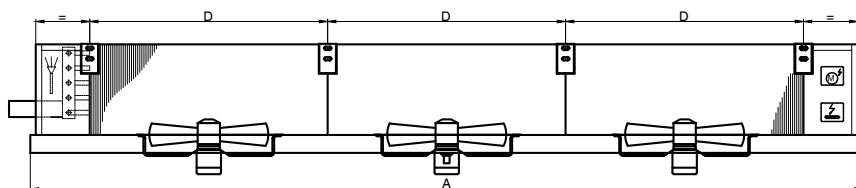
EVAPORADORES SERIE HED PERFIL ALTO



HED/D
4001/4501/5001/6301



HED/D
4002/4502/5002/6302



HED/D
4003/4503/5003/6303

| Model / Modelo | Dimensions/Dimensiones(mm) | | | | | |
|-------------------|----------------------------|------|-----|------|------|-----|
| | A | B | C | D | E | F |
| HED 4001... | 1000 | 1565 | 435 | 600 | 654 | 563 |
| HED 4002... | 1600 | 1565 | 435 | 600 | 1254 | 563 |
| HED 4003... | 2280 | 1565 | 435 | 600 | 1854 | 563 |
| HED 4501... | 1200 | 1565 | 450 | 800 | 854 | 563 |
| HED 4502... | 2000 | 1565 | 450 | 800 | 1654 | 563 |
| HED 4503... | 2880 | 1565 | 450 | 800 | 2454 | 563 |
| HED 5001... | 1400 | 1565 | 450 | 1000 | 1054 | 563 |
| HED 5002... | 2480 | 1565 | 450 | 1000 | 2054 | 563 |
| HED 5003... | 3650 | 1565 | 450 | 1000 | 3054 | 563 |
| HED 6301... | 1850 | 1945 | 510 | 1200 | 1255 | 744 |
| HED 6302... | 3050 | 1945 | 510 | 1200 | 2455 | 744 |
| HED 6303... | 4250 | 1945 | 510 | 1200 | 3655 | 744 |

HED HIGH PROFILE SERIES EVAPORATOR

EVAPORADORES SERIE HED PERFIL ALTO

Fin spacing, Espacio entre aletas 4 mm, with heater/ Con resistencia, $Rt \geq 0^\circ\text{C}$

| Model / Modelo | Nominal Capacity / Capacidad Nominal (kw) | | Capacity / Capacidad (kw) | | Superficie/ Surface (m ²) | Tube Volume/ Volumen Interno (dm ³) | N.W/ Peso Neto (kg) | Connection/ Conexión (ø mm) | |
|-------------------|---|---------------------------|---------------------------------|---------------------------|---|---|------------------------------|-----------------------------------|-------------------|
| | $t_e = -8^\circ\text{C}$ | $t_e = -25^\circ\text{C}$ | $t_e = -8^\circ\text{C}$ | $t_e = -25^\circ\text{C}$ | | | | Inlet/ Entrada | Outlet/ Salida |
| | DT1=8K | DT1=7K | DT1=8K | DT1=7K | | | | | |
| HED 4001 36 4D | 5.75 | 4.08 | 5.00 | 3.89 | 36 | 5.4 | 53 | 16 | 28 |
| HED 4002 72 4D | 12.41 | 8.75 | 10.79 | 8.33 | 72 | 10.8 | 93 | 16 | 42 |
| HED 4003 108 4D | 16.80 | 11.57 | 14.61 | 11.02 | 108 | 16.2 | 134 | 22 | 54 |
| HED 4501 48 4D | 8.07 | 5.66 | 7.02 | 5.39 | 48 | 8.1 | 67 | 16 | 35 |
| HED 4502 96 4D | 14.82 | 10.50 | 12.89 | 10.00 | 96 | 14.4 | 117 | 16 | 42 |
| HED 4503 144 4D | 24.66 | 16.45 | 21.44 | 15.67 | 144 | 21.6 | 174 | 22 | 54 |
| HED 5001 90 4D | 15.12 | 10.59 | 13.15 | 10.09 | 90 | 13.5 | 94 | 16 | 42 |
| HED 5002 180 4D | 29.18 | 20.66 | 25.37 | 19.68 | 180 | 26.1 | 175 | 22 | 54 |
| HED 5003 270 4D | 47.09 | 32.32 | 40.95 | 30.78 | 270 | 38.7 | 260 | 28 | 67 |
| HED 6301 144 4D | 26.46 | 18.38 | 23.01 | 17.50 | 144 | 22.5 | 207 | 22 | 54 |
| HED 6302 288 4D | 59.80 | 41.07 | 52.00 | 39.11 | 288 | 42.3 | 357 | 28 | 67 |
| HED 6303 432 4D | 92.49 | 60.85 | 80.43 | 57.95 | 432 | 62.1 | 508 | 28 | 76 |

*Marks: Optional model without heater available / Nota: Modelo opcional sin el calentador disponible.

*Evaporator for Glycol available / Evaporador con glicol disponible

*Evaporator for Ammonia gas available / Evaporador con gas amoníaco disponible.

*Golden fins with highly anti-corrosion strength available / Aleta goldfin con alta resistencia a la corrosión disponible.

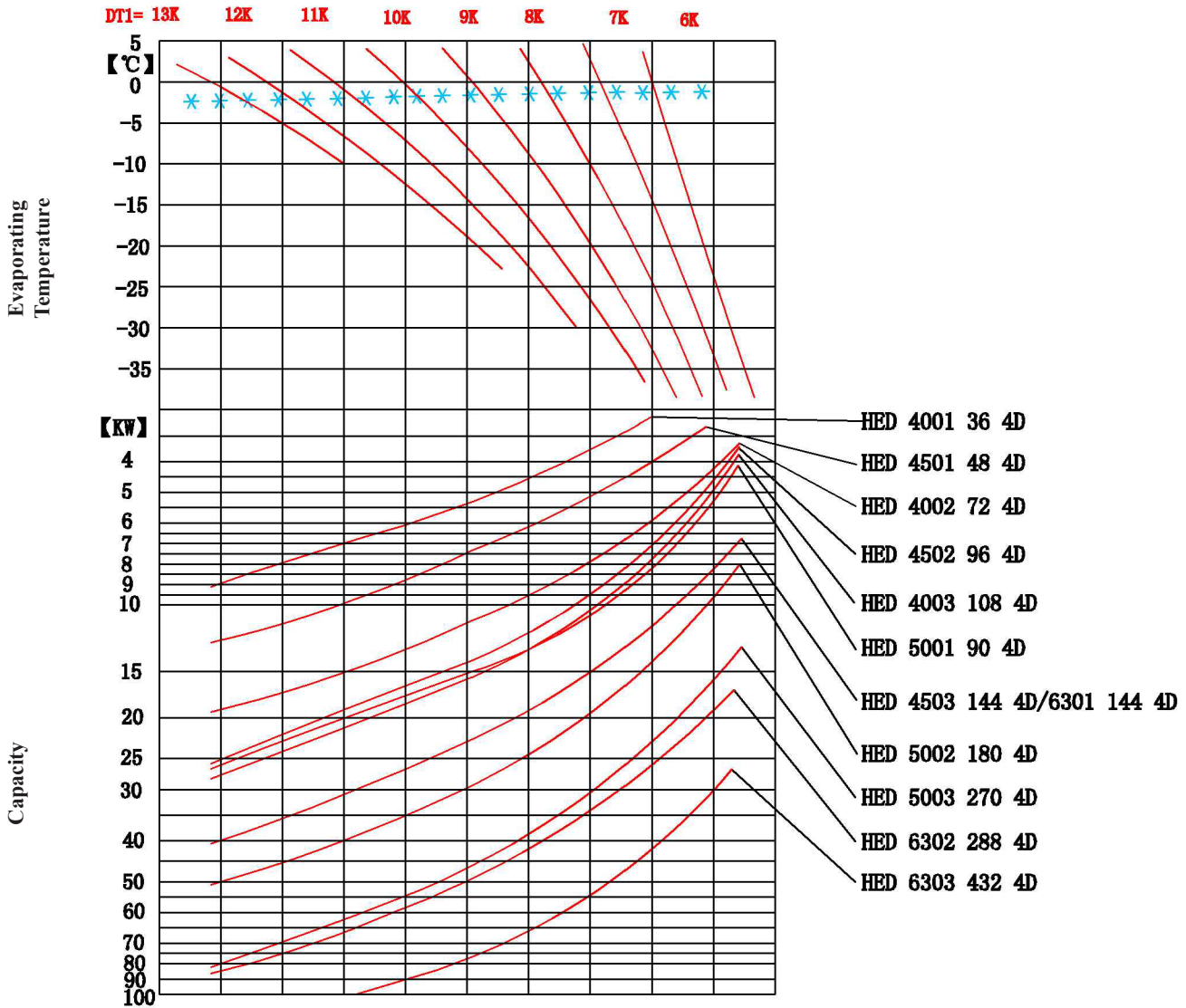
*Double trays available / Bandeja doble disponible.

Electric data/ Datos eléctricos

| Model/ Modelo | Axial Fans/ Ventilador con motor axial | | | | | | | Electric Defrost/ Desescarche Eléctrico | | |
|------------------|---|----|----------------------------------|---------------------------|-------------------------------|--|--------------------------------------|--|------------------------------|--------------|
| | Diameter Diámetro (Φ mm) | Nº | Voltage/ Voltaje (V, 50Hz) | Power/ Potencia (W) | Current/ Intensidad (A) | Air Flow/ Volumen de Aire (m ³ /h) | Air Throw/ Tiro de Aire (m) | Coil/ Aletas (W) | Drain Pan/ Desagüe (W) | Total (W) |
| HED 4001 36 4D | 400 | 1 | 1 ~ 220 | 177 | 0.29 | 2900 | 2 × 6 | 4 × 450 | 2 × 800 | 3400 |
| HED 4002 72 4D | 400 | 2 | 1 ~ 220 | 354 | 0.58 | 5800 | 2 × 8 | 4 × 825 | 2 × 1300 | 5900 |
| HED 4003 108 4D | 400 | 3 | 1 ~ 220 | 531 | 0.87 | 8700 | 2 × 10 | 4 × 1275 | 2 × 1900 | 8900 |
| HED 4501 48 4D | 450 | 1 | 3 ~ 380 | 350 | 1.10 | 4250 | 2 × 8 | 4 × 750 | 2 × 1000 | 5000 |
| HED 4502 96 4D | 450 | 2 | 3 ~ 380 | 700 | 2.2 | 8500 | 2 × 10 | 4 × 1500 | 2 × 1600 | 9200 |
| HED 4503 144 4D | 450 | 3 | 3 ~ 380 | 1050 | 3.3 | 12750 | 2 × 12 | 4 × 2200 | 2 × 2400 | 13600 |
| HED 5001 90 4D | 500 | 1 | 3 ~ 380 | 650 | 1.15 | 5700 | 2 × 10 | 4 × 950 | 4 × 600 | 6200 |
| HED 5002 180 4D | 500 | 2 | 3 ~ 380 | 1300 | 2.30 | 11400 | 2 × 12 | 4 × 1800 | 4 × 1050 | 11400 |
| HED 5003 270 4D | 500 | 3 | 3 ~ 380 | 1950 | 3.45 | 17100 | 2 × 14 | 4 × 2700 | 4 × 1550 | 17000 |
| HED 6301 144 4D | 630 | 1 | 3 ~ 380 | 705 | 1.48 | 11600 | 2 × 11 | 3 × 2200 | 2 × 1600 | 9800 |
| HED 6302 288 4D | 630 | 2 | 3 ~ 380 | 1410 | 2.96 | 23200 | 2 × 13 | 3 × 4400 | 2 × 2600 | 18400 |
| HED 6303 432 4D | 630 | 3 | 3 ~ 380 | 2115 | 4.44 | 34800 | 2 × 15 | 6 × 3200 | 4 × 1900 | 26800 |

HED HIGH PROFILE SERIES EVAPORATOR

EVAPORADORES SERIE HED PERFIL ALTO



HED HIGH PROFILE SERIES EVAPORATOR

EVAPORADORES SERIE HED PERFIL ALTO

Fin spacing, Espacio entre aletas 7 mm, with heater/ Con resistencia, Rt_e ≥ -18°C

| Model / Modelo | Nominal Capacity / Capacidad Nominal (kw) | | Capacity / Capacidad (kw) | | Superficie/ Surface (m ²) | Tube Volume/ Volumen Interno (dm ³) | N.W/ Peso Neto (kg) | Connection/ Conexión (ø mm) | |
|-------------------|---|------------------------|---------------------------------|------------------------|---|---|------------------------------|-----------------------------------|-------------------|
| | t _e = -8°C | t _e = -25°C | t _e = -8°C | t _e = -25°C | | | | Inlet/ Entrada | Outlet/ Salida |
| | DT1=8K | DT1=7K | DT1=8K | DT1=7K | | | | | |
| HED 4001 31 7D | 7.22 | 5.18 | 6.28 | 4.93 | 31 | 9 | 57 | 16 | 35 |
| HED 4002 62 7D | 15.36 | 10.90 | 13.36 | 10.38 | 62 | 16.2 | 97 | 16 | 42 |
| HED 4003 93 7D | 21.62 | 14.87 | 18.8 | 14.16 | 93 | 23.4 | 139 | 22 | 54 |
| HED 4501 41 7D | 10.10 | 7.16 | 8.78 | 6.82 | 41 | 10.8 | 69 | 16 | 35 |
| HED 4502 82 7D | 19.35 | 13.48 | 16.83 | 12.84 | 82 | 21.6 | 123 | 22 | 54 |
| HED 4503 123 7D | 30.91 | 22.11 | 26.88 | 21.06 | 123 | 30.6 | 180 | 22 | 54 |
| HED 5001 51 7D | 13.90 | 10.06 | 12.09 | 9.58 | 51 | 13.5 | 81 | 16 | 42 |
| HED 5002 103 7D | 27.32 | 19.07 | 23.76 | 18.16 | 103 | 26.1 | 149 | 22 | 54 |
| HED 5003 155 7D | 43.27 | 30.05 | 37.63 | 28.62 | 155 | 38.7 | 221 | 28 | 67 |
| HED 6301 82 7D | 24.01 | 16.21 | 20.88 | 15.44 | 82 | 22.5 | 186 | 22 | 54 |
| HED 6301 103 7D | 28.95 | 20.39 | 25.17 | 19.42 | 103 | 28.8 | 205 | 22 | 54 |
| HED 6302 165 7D | 54.17 | 36.16 | 47.10 | 34.44 | 165 | 42.3 | 315 | 28 | 67 |
| HED 6302 206 7D | 63.64 | 44.13 | 55.34 | 42.03 | 206 | 54 | 353 | 28 | 67 |
| HED 6303 247 7D | 84.01 | 56.09 | 73.05 | 53.42 | 247 | 62.1 | 446 | 28 | 76 |
| HED 6303 309 7D | 97.16 | 64.45 | 84.49 | 61.38 | 309 | 81 | 503 | 35 | 76 |

*Marks: Optional model without heater available / Nota: Modelo opcional sin el calentador disponible.

*Evaporator for Glycol available / Evaporador con glicol disponible

*Evaporator for Ammonia gas available / Evaporador con gas amoníaco disponible.

*Golden fins with highly anti-corrosion strength available / Aleta goldfin con alta resistencia a la corrosión disponible.

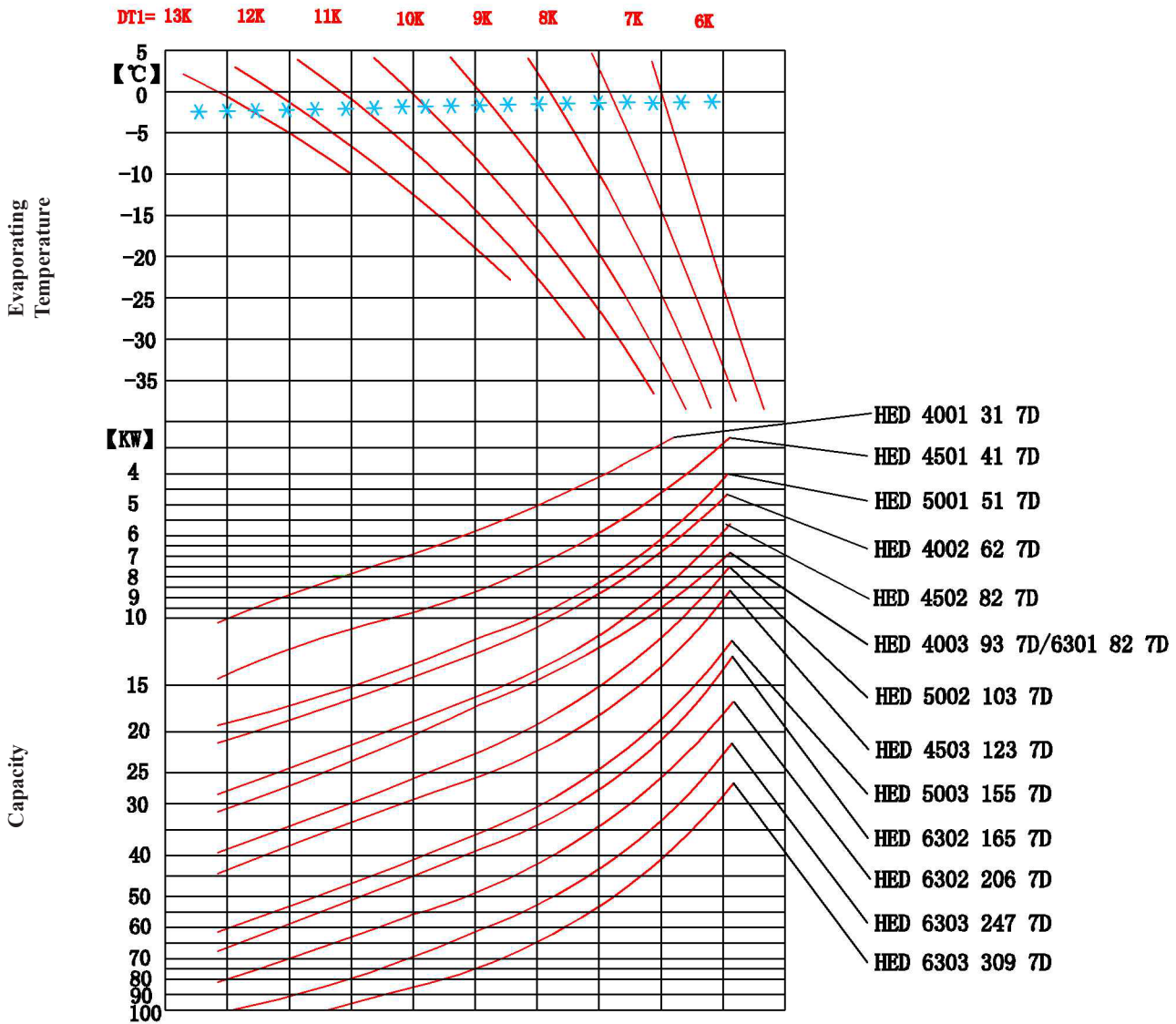
*Double trays available / Bandeja doble disponible.

Electric data/ Datos eléctricos

| Model/ Modelo | Axial Fans/ Ventilador con motor axial | | | | | | | Electric Defrost/ Desescarche Eléctrico | | |
|------------------|---|----|----------------------------------|---------------------------|-------------------------------|--|--------------------------------------|--|------------------------------|--------------|
| | Diameter Diámetro (Φ mm) | Nº | Voltage/ Voltaje (V, 50Hz) | Power/ Potencia (W) | Current/ Intensidad (A) | Air Flow/ Volumen de Aire (m ³ /h) | Air Throw/ Tiro de Aire (m) | Coil/ Aletas (W) | Drain Pan/ Desagüe (W) | Total (W) |
| HED 4001 31 7D | 400 | 1 | 1 ~ 220 | 177 | 0.29 | 3200 | 2 × 6 | 4 × 600 | 4 × 400 | 4000 |
| HED 4002 62 7D | 400 | 2 | 1 ~ 220 | 354 | 0.58 | 6400 | 2 × 8 | 4 × 1100 | 4 × 650 | 7000 |
| HED 4003 93 7D | 400 | 3 | 1 ~ 220 | 531 | 0.87 | 9600 | 2 × 10 | 4 × 1700 | 4 × 950 | 10600 |
| HED 4501 41 7D | 450 | 1 | 3 ~ 380 | 350 | 1.10 | 4600 | 2 × 8 | 4 × 750 | 4 × 500 | 5000 |
| HED 4502 82 7D | 450 | 2 | 3 ~ 380 | 700 | 2.2 | 9200 | 2 × 10 | 4 × 1500 | 4 × 800 | 9200 |
| HED 4503 123 7D | 450 | 3 | 3 ~ 380 | 1050 | 3.3 | 13800 | 2 × 12 | 4 × 2200 | 4 × 1200 | 13600 |
| HED 5001 51 7D | 500 | 1 | 3 ~ 380 | 650 | 1.15 | 6800 | 2 × 10 | 4 × 950 | 4 × 600 | 6200 |
| HED 5002 103 7D | 500 | 2 | 3 ~ 380 | 1300 | 2.30 | 13600 | 2 × 12 | 4 × 1800 | 4 × 1050 | 11400 |
| HED 5003 155 7D | 500 | 3 | 3 ~ 380 | 1950 | 3.45 | 20400 | 2 × 14 | 4 × 2700 | 4 × 1550 | 17000 |
| HED 6301 82 7D | 630 | 1 | 3 ~ 380 | 705 | 1.48 | 12800 | 2 × 12 | 3 × 2200 | 2 × 1600 | 9800 |
| HED 6301 103 7D | 630 | 1 | 3 ~ 380 | 705 | 1.48 | 12400 | 2 × 11 | 4 × 2200 | 2 × 1600 | 12000 |
| HED 6302 165 7D | 630 | 2 | 3 ~ 380 | 1410 | 2.96 | 25600 | 2 × 14 | 3 × 4400 | 2 × 2600 | 18400 |
| HED 6302 206 7D | 630 | 2 | 3 ~ 380 | 1410 | 2.96 | 24800 | 2 × 13 | 4 × 4400 | 2 × 2600 | 22800 |
| HED 6303 247 7D | 630 | 3 | 3 ~ 380 | 2115 | 4.44 | 38400 | 2 × 16 | 6 × 3200 | 4 × 1900 | 26800 |
| HED 6303 309 7D | 630 | 3 | 3 ~ 380 | 2115 | 4.44 | 37200 | 2 × 15 | 8 × 3200 | 4 × 1900 | 33200 |

HED HIGH PROFILE SERIES EVAPORATOR

EVAPORADORES SERIE HED PERFIL ALTO



HED HIGH PROFILE SERIES EVAPORATOR

EVAPORADORES SERIE HED PERFIL ALTO

Fin spacing, Espacio entre aletas 10 mm, with heater/ Con resistencia, Rt_z-25°C

| Model / Modelo | Nominal Capacity / Capacidad Nominal (kw) | | Capacity / Capacidad (kw) | | Superficie/ Surface (m ²) | Tube Volume/ Volumen Interno (dm ³) | N.W/ Peso Neto (kg) | Connection/ Conexión (ø mm) | |
|-------------------|---|------------------------|---------------------------------|------------------------|---|---|------------------------------|-----------------------------------|-------------------|
| | t _e = -8°C | t _e = -25°C | t _e = -8°C | t _e = -25°C | | | | Inlet/ Entrada | Outlet/ Salida |
| | DT1=8K | DT1=7K | DT1=8K | DT1=7K | | | | | |
| HED 4001 22 10D | 6.01 | 4.37 | 5.23 | 4.16 | 22 | 9 | 57 | 16 | 35 |
| HED 4002 43 10D | 12.29 | 9.06 | 10.69 | 8.63 | 43 | 16.2 | 96 | 16 | 42 |
| HED 4003 65 10D | 17.50 | 12.40 | 15.22 | 11.81 | 65 | 23.4 | 138 | 22 | 54 |
| HED 4501 29 10D | 8.36 | 6.01 | 7.27 | 5.72 | 29 | 10.8 | 69 | 16 | 35 |
| HED 4502 58 10D | 16.00 | 11.31 | 13.91 | 10.77 | 58 | 20.7 | 120 | 16 | 42 |
| HED 4503 86 10D | 25.29 | 18.02 | 21.99 | 17.16 | 86 | 30.6 | 179 | 22 | 54 |
| HED 5001 36 10D | 11.33 | 8.37 | 9.85 | 7.97 | 36 | 13.5 | 80 | 16 | 42 |
| HED 5002 72 10D | 22.17 | 15.60 | 19.28 | 14.86 | 72 | 26.1 | 148 | 22 | 54 |
| HED 5003 108 10D | 34.78 | 24.83 | 30.24 | 23.65 | 108 | 37.8 | 217 | 22 | 54 |
| HED 6301 58 10D | 19.73 | 13.61 | 17.16 | 12.96 | 58 | 22.5 | 185 | 22 | 54 |
| HED 6301 72 10D | 24.15 | 16.59 | 21.00 | 15.80 | 72 | 28.8 | 204 | 22 | 54 |
| HED 6302 115 10D | 43.32 | 30.26 | 37.67 | 28.82 | 115 | 42.3 | 314 | 28 | 67 |
| HED 6302 144 10D | 53.14 | 36.26 | 46.21 | 34.53 | 144 | 54 | 352 | 28 | 67 |
| HED 6303 173 10D | 67.87 | 47.21 | 59.02 | 44.96 | 173 | 62.1 | 444 | 28 | 76 |
| HED 6303 216 10D | 81.63 | 55.59 | 70.98 | 52.94 | 216 | 81 | 501 | 35 | 76 |

*Marks: Optional model without heater available / Nota: Modelo opcional sin el calentador disponible.

*Evaporator for Glycol available / Evaporador con glicol disponible

*Evaporator for Ammonia gas available / Evaporador con gas amoníaco disponible.

*Golden fins with highly anti-corrosion strength available / Aleta goldfin con alta resistencia a la corrosión disponible.

*Double trays available / Bandeja doble disponible.

Electric data/ Datos eléctricos

| Model/ Modelo | Axial Fans/ Ventilador con motor axial | | | | | | | Electric Defrost/ Desescarche Eléctrico | | |
|------------------|---|----|----------------------------------|---------------------------|-------------------------------|--|--------------------------------------|--|------------------------------|--------------|
| | Diameter Diámetro (Φ mm) | Nº | Voltage/ Voltaje (V, 50Hz) | Power/ Potencia (W) | Current/ Intensidad (A) | Air Flow/ Volumen de Aire (m ³ /h) | Air Throw/ Tiro de Aire (m) | Coil/ Aletas (W) | Drain Pan/ Desagüe (W) | Total (W) |
| HED 4001 22 10D | 400 | 1 | 1 ~ 220 | 177 | 0.29 | 3300 | 2 × 6 | 4 × 600 | 4 × 400 | 4000 |
| HED 4002 43 10D | 400 | 2 | 1 ~ 220 | 354 | 0.58 | 6600 | 2 × 8 | 4 × 1100 | 4 × 650 | 7000 |
| HED 4003 65 10D | 400 | 3 | 1 ~ 220 | 531 | 0.87 | 9900 | 2 × 10 | 4 × 1700 | 4 × 950 | 10600 |
| HED 4501 29 10D | 450 | 1 | 3 ~ 380 | 350 | 1.10 | 4800 | 2 × 8 | 4 × 750 | 4 × 500 | 5000 |
| HED 4502 58 10D | 450 | 2 | 3 ~ 380 | 700 | 2.2 | 9600 | 2 × 10 | 4 × 1500 | 4 × 800 | 9200 |
| HED 4503 86 10D | 450 | 3 | 3 ~ 380 | 1050 | 3.3 | 14400 | 2 × 12 | 4 × 2200 | 4 × 1200 | 13600 |
| HED 5001 36 10D | 500 | 1 | 3 ~ 380 | 650 | 1.15 | 7000 | 2 × 10 | 4 × 950 | 4 × 600 | 6200 |
| HED 5002 72 10D | 500 | 2 | 3 ~ 380 | 1300 | 2.30 | 14000 | 2 × 12 | 4 × 1800 | 4 × 1050 | 11400 |
| HED 5003 108 10D | 500 | 3 | 3 ~ 380 | 1950 | 3.45 | 21000 | 2 × 14 | 4 × 2700 | 4 × 1550 | 17000 |
| HED 6301 58 10D | 630 | 1 | 3 ~ 380 | 705 | 1.48 | 13000 | 2 × 12 | 3 × 2200 | 2 × 1600 | 9800 |
| HED 6301 72 10D | 630 | 1 | 3 ~ 380 | 705 | 1.48 | 12800 | 2 × 11 | 4 × 2200 | 2 × 1600 | 12000 |
| HED 6302 115 10D | 630 | 2 | 3 ~ 380 | 1410 | 2.96 | 26000 | 2 × 14 | 3 × 4400 | 2 × 2600 | 18400 |
| HED 6302 144 10D | 630 | 2 | 3 ~ 380 | 1410 | 2.96 | 25600 | 2 × 13 | 4 × 4400 | 2 × 2600 | 22800 |
| HED 6303 173 10D | 630 | 3 | 3 ~ 380 | 2115 | 4.44 | 39000 | 2 × 16 | 6 × 3200 | 4 × 1900 | 26800 |
| HED 6303 216 10D | 630 | 3 | 3 ~ 380 | 2115 | 4.44 | 38400 | 2 × 15 | 8 × 3200 | 4 × 1900 | 33200 |

HED HIGH PROFILE SERIES EVAPORATOR

EVAPORADORES SERIE HED PERFIL ALTO

