

The 240RA is a 2-way, normally closed diaphragm valve. 240RA valves are used for liquid, suction, and hot gas service.

### Features

- One coil fits all valve sizes
- Can be brazed into the line without disassembly
- PTFE diaphragm for high temperature applications
- Extended ends for easy installation (standard)
- Long-life molded coils
- Mounting stud models can be field converted to manual stem



### Specifications

- Maximum fluid temperature: 250°F
- Maximum working pressure: 500 psig
- MOPD: 300 psig
- UL/CUL file number: MP604

### Options

- Manual stem or mounting stud

*NOTE: Mounting enclosing tube more than 90° off vertical up position is not recommended.*

### Nomenclature example: 240RA 8T5M VLC

240R	A**	8	T	5	M	VLC
Valve Series	Design Series	Port Size (in 1/16")	Connection Type T = copper entended ends	Connection Size (in 1/8")	M = manual stem T = mounting stud (optional)	Coil*

\* NOTE: Valves are shipped without the solenoid coils (VLC = Valve Less Coil). See coil assemblies for availability.

\*\*NOTE: Letter "H" is no longer used since all 240RA valves now contain the high temperature diaphragm for hot gas.

### Ordering Information and Nominal\* Liquid Capacity Table – Tons (kW)

PCN			Description	Connection Size	R-12	R-134a	R-22	R-407C	R-404A/R-507	R-502
Standard Valve	Mounting Stud <sup>1</sup>	Manual Stem <sup>2</sup>								
060374	040846	040845	240RA 8 T 5	5/8 ODF	12.2 (43.4)	14.8 (52.5)	15.6 (55.2)	14.8 (52.4)	10.3 (36.5)	10.1 (35.0)
060375	044860	045753	240RA 8 T 7	7/8 ODF	18.2 (64.6)	22.0 (78.0)	23.3 (82.5)	22.1 (78.2)	15.3 (54.2)	15.1 (53.5)
060376	040848	040847	240RA 9 T 5	5/8 ODF	24.0 (85.0)	28.9 (102.3)	30.5 (108.0)	29.0 (103.0)	21.0 (71.1)	19.8 (70.1)
060377	043205	043204	240RA 9 T 7	7/8 ODF	27.6 (97.6)	33.2 (117.5)	34.9 (124.0)	33.2 (118.0)	23.0 (81.4)	22.7 (80.4)
060378	044861	045752	240RA 9 T 9	1 1/8 ODF	37.3 (132.0)	55.1 (195.1)	58.0 (205.0)	55.2 (195.0)	38.3 (135.0)	37.3 (133.0)
060379	040850	040849	240RA 12 T 7	7/8 ODF	58.8 (208.0)	86.8 (307.4)	95.4 (338.0)	90.8 (321.0)	65.7 (230.0)	62.0 (219.0)
060380	043959	045549	240RA 12 T 9	1 1/8 ODF						
060381	042549	042548	240RA 16 T 9	1 1/8 ODF						
060382	044428	044788	240RA 16 T 11	1 3/8 ODF						
060383	047761	046636	240RA 20 T 11	1 3/8 ODF						
060384	047747	046637	240RA 20 T 13	1 5/8 ODF						
060385	054297	046638	240RA 20 T 17	2 1/8 ODF						

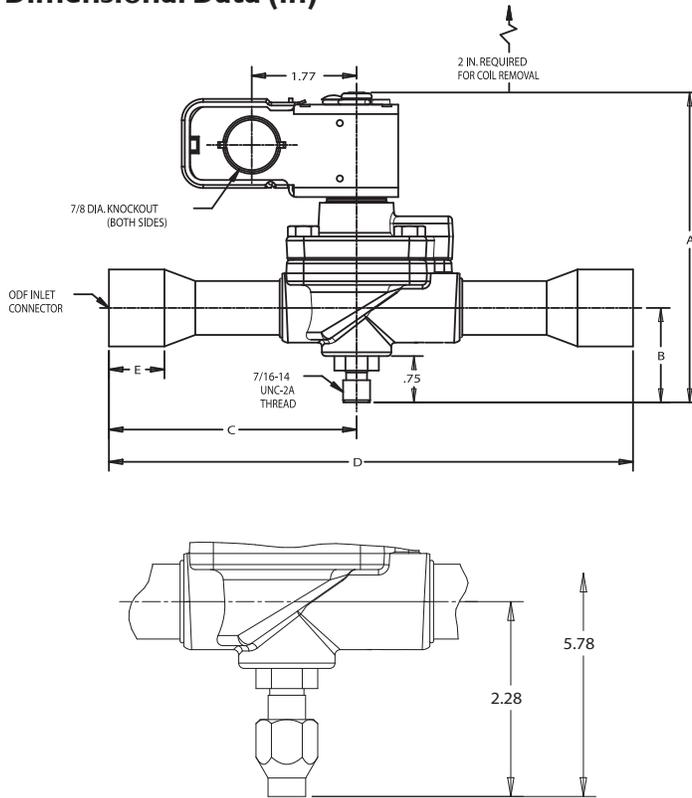
<sup>1</sup> Add "T" to the end of description for Mounting Stud

<sup>2</sup> Add "M" to the end of the description for Manual Stem

Capacities based on 100°F liquid and 40°F saturated evaporator per ARI standard 760-87.

\*See Extended Capacity Tables for ratings at a wide range of conditions.

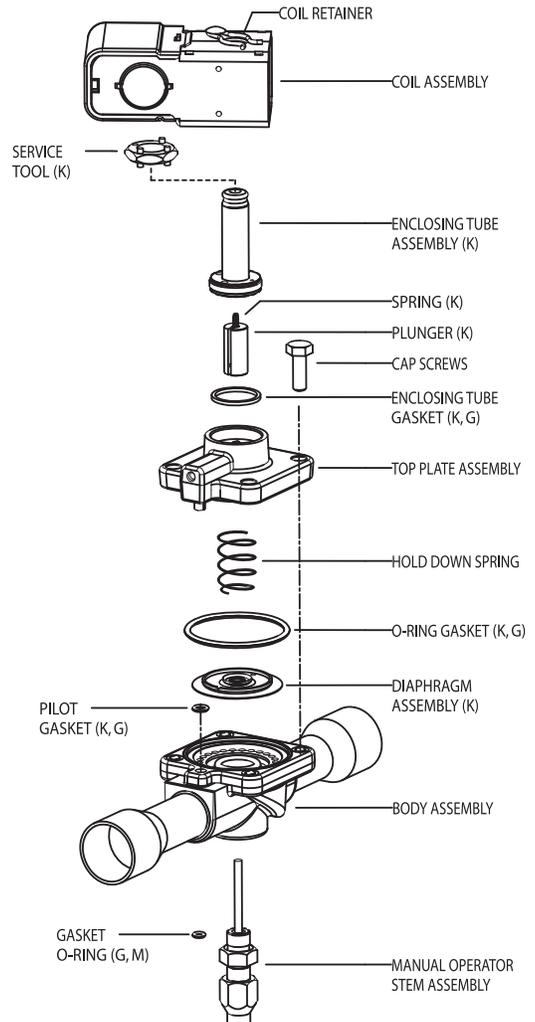
## Dimensional Data (in)



WITH MANUAL STEM - "M" VERSION

Valve	Port Size	Conn. Size	A	B	C	D	E
240RA8T5T	1/2	5/8 ODF	4.80	1.34	3.28	6.88	0.50
240RA8T5M			5.28	1.83			
240RA8T7T		7/8 ODF	4.80	1.34	3.41	7.13	0.75
240RA8T7M	9/16	5/8 ODF	5.28	1.83	3.41	7.13	0.75
240RA9T5T			5.08	1.50			
240RA9T5M		5.56	2.08				
240RA9T7T		7/8 ODF	5.08	1.50	3.33	7.13	0.75
240RA9T7M		1-1/8 ODF	5.56	2.08	4.02	8.50	0.91
240RA9T9T			5.08	1.50			
240RA9T9M	5.56	2.08	3.52	2.08	7.50	0.75	
240RA12T7T	7/8 ODF	5.08					1.50
240RA12T7M	3/4	5.56					2.08
240RA12T9T		1-1/8 ODF	5.08	1.50			
240RA12T9M	1	5.56	2.08	4.13	9.06	0.97	
240RA16T9T		1-1/8 ODF	5.34				1.66
240RA16T9M		1-3/8 ODF	5.80				2.23
240RA16T11T	5.34		1.66				
240RA16T11M	1-1/4	5.80	2.23	5.11	10.81	1.09	
240RA20T11T		1-3/8 ODF	5.45				1.31
240RA20T11M		1-5/8 ODF	6.47				2.33
240RA20T13T			1-5/8 ODF	5.45	1.31		
240RA20T13M		2-1/8 ODF	6.47	2.33	6.58	13.75	1.34
240RA20T17T			2-1/8 ODF	5.45			
240RA20T17M	6.47	2.33					

## Exploded View & Parts Kit Data



## Valve Kits

Valve	Complete Kit	PCN	Manual Opener Kit	PCN
240RA8	KS30321	060626	KS30066	044657
240RA9	KS30322	060627	KS30067	044658
240RA12	KS30323	060628	KS30067	044658
240RA16	KS30324	060629	KS30068	044491
240RA20	KS30325	060630	KS30098	047723

Gasket Kit for all 240RA valves is KG10028 (PCN 054356)

### Valve Repair Kit

\*K\* indicates part is supplied in complete valve repair kit.

### Manual Stem Kit

\*M\* indicates part is supplied in manual stem kit.

### Gasket Kit

\*G\* indicates gasket is supplied in gasket kit.  
Note: Spanner wrench (X11981-1 service tool) included in complete valve kit.

### Coil Assembly

See coil assemblies for availability.