

ABV REFRIGERATION BALL VALVE

APPLICATIONS

- ✂ Isolate suction, discharge, and liquid line pipework during maintenance shutdown periods

FEATURES

- ✂ Forged brass body
- ✂ Hermetic design
- ✂ Compatible with new refrigerants/lubricants
- ✂ Full internal ports (Reduced ports on 2 5/8" and 3 1/8" models)
- ✂ Bi-directional flow characteristics
- ✂ Valve stem cap retained by strap attached to main body
- ✂ Integrated access port available on all sizes



NOMENCLATURE

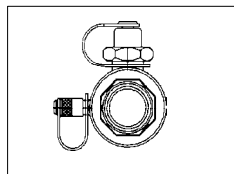
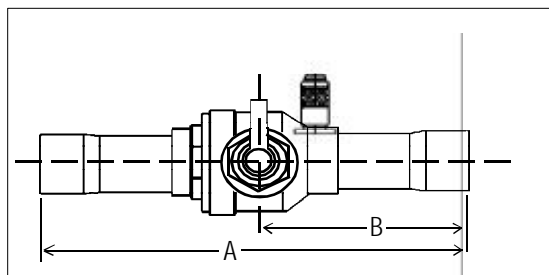
Example: ABV5A

A	BV	5	A
Alco	Ball Valve	Connection Size (in 1/8")	Access Valve (optional)

SPECIFICATIONS

- ✂ Welded Body: Forging Brass
- ✂ Extension Stubs: 100% Copper
- ✂ Maximum working pressure: 500 psig
- ✂ Not for use with R-123
- ✂ Fluid temperature range: +300°F to -40°F
- ✂ UL File Number: SA5312
- ✂ CSA File Number: LR32462

DIMENSIONAL DATA



SELECTION AND ORDERING INFORMATION FOR ABV

PCN* without Access Valve	PCN* with Access Valve	Valve	Port Size	Connection Size	Dimensions (Inches)	
					A	B
064383	064384	ABV2	1/2	1/4 ODF	5.47	2.55
062104	062114	ABV3	1/2	3/8 ODF	5.47	2.55
062105	062115	ABV4	1/2	1/2 ODF	6.35	2.97
062106	062116	ABV5	1/2	5/8 ODF	6.35	2.97
064385	064386	ABV6	3/4	3/4 ODF	7.42	3.49
062107	062117	ABV7	3/4	7/8 ODF	7.42	3.49
062108	062118	ABV9	1	1 1/8 ODF	9.11	4.47
062109	062119	ABV11	1 1/4	1 3/8 ODF	9.97	4.84
062110	062120	ABV13	1 1/2	1 5/8 ODF	10.98	5.38
062111	062121	ABV17	2	2 1/8 ODF	11.72	5.77
062112	062122	ABV21 [Ⓔ]	2	2 5/8 ODF	11.72	5.77
062113	062123	ABV25 [Ⓔ]	2	3 1/8 ODF	11.81	5.82

■ Standard Product Offering
 *Product Code Number
[Ⓔ]Reduced port

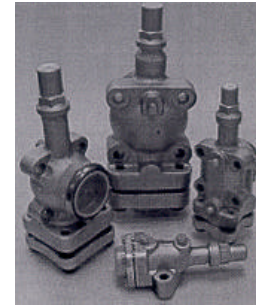
SC2 COMPRESSOR SHUT-OFF VALVES

APPLICATIONS

- Alco/Nobis brand compressor shut-off valves are designed to isolate compressors from refrigerant lines during installation and service
- Cast-Iron Shut-Off valves for use on Semi-Hermetic-, and Screw Compressors

FEATURES

- Corrosion resistant, non toxic, water based paint
- Cast iron body
- Minimal pressure drop due to optimized flow characteristic
- Valves are 100% internally and externally leak-tested
- Heavy duty seal cap offers optimal tightness and avoids refrigerant loss
- High temperature resistant pure graphite packing
- Integrated access port available on all sizes
- Compatible with CFC, HFC, HCFC, Mineral, Synthetic and Polyolester lubricants; Also available for ammonia applications



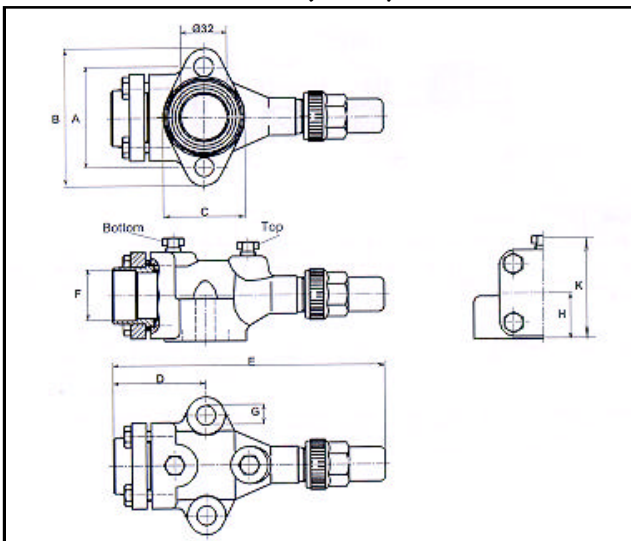
SPECIFICATIONS

- UL approved: File no. SA 6668
- Maximum Operating Pressure: 500 psig
- Fluid Temperature Range: -40 to 265°F standard
- Ambient temperature: -40 to 150°F
- Transport temperature: -40 to 150°F

OPTIONS

- Up to three 1/4" or 1/8" NPTF connections

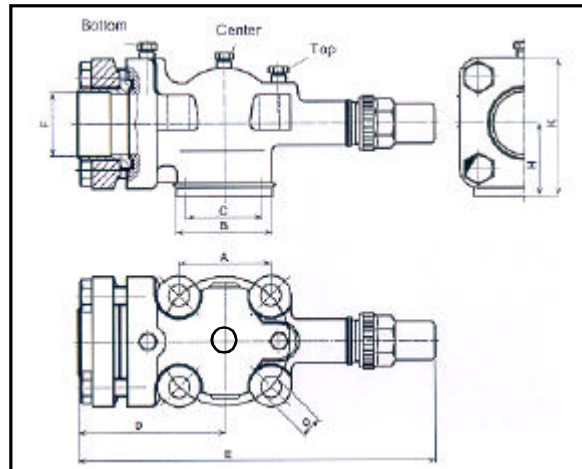
DIMENSIONAL DATA (mm)



PCN*	TYPE	ORDER NO.	D	E	F	Gauge Connection	Weight kg
064925	SC2-SJ5	400.000.44	60.5	185	0 7/8"-22mm	top + bottom	1.64
064926	SC2-SK5	400.000.22			0 28mm		
064927	SC2-SL5	400.000.23	64.5	189	0 1-1/8"		1.64
064928	SC2-SM5	400.000.24			0 35mm-1-3/8"		
064929	SC2-S95	400.000.43	--	--	-WITHOUT-	1.36	

Standard Product Offering

*Product Code Number



SELECTION AND ORDERING INFORMATION

PCN*	TYPE	ORDER NO.**	A	B	C	D	E	F	G	H	K	Gauge Connection	Medium	Weight kg
064930	SC4-SN1	400.000.25	63.6	070	054	109	251	0 42mm-1-5/8"	013.5	46	86	top	NH ₃ , NH ₄	3.36
064931	SC4-SO1	400.000.26						0 35mm-1-3/8"						
064932	SC4-SP1	400.000.27						0 42mm-1-5/8"						
064933	SC4-SM1	400.000.28						0 54mm-2-1/8"						
064934	SC4-S95	400.000.40						- WITHOUT -						
064935	SC4-WP5	400.000.29						0 42mm-1-5/8"						
064936	SC4-WN5	400.000.30						0 42mm						
064937	SC4-WO5	400.000.31						0 1-5/8"						
064938	SC5-SM5	400.000.32						0 35mm-1-3/8"						
064939	SC5-SO5	400.000.33						0 1-5/8"						
064940	SC5-SN5	400.000.34	0 42mm	018	62	117	top + bottom	??						
064941	SC5-S95	400.000.41	- WITHOUT -											
064942	SC5-SO5	400.000.18	0 54mm-2-1/8"											
064943	SC5-S55	400.000.35	0 64mm											
064944	SC5-SR1	400.000.36	0 2 5/8"											
064945	SC5-BN5	400.000.37	0 42mm											
064947	SC8-SR1	400.000.38	0 2-5/8"				018		76	146	top	13.72		
064948	SC8-S95	400.000.42	- WITHOUT -											
064949	SC8-S11	400.000.39	0 3-1/8"											
064949	SC8-S11	400.000.39	0 3-1/8"											

Standard Product Offering

*Product Code Number (North America)

** Order Number (Rest of the World)

CONFIGURATION OF THE THREE NPTF CONNECTORS

Pos. of Schraeder Conn.		Top	Center	Bottom
		1/4"-1/8" NPTF	1/4"-1/8" NPTF	1/4"-1/8" NPTF
Valve Stem Position	Fully Open	Sealed from System	Connected to System and Compressor	Connected to System and Compressor
	Closed by One Turn	Connected to System and Compressor	Connected to System and Compressor	Connected to System and Compressor
	Fully Closed	Connected to Compressor	Connected to Compressor	Connected to System