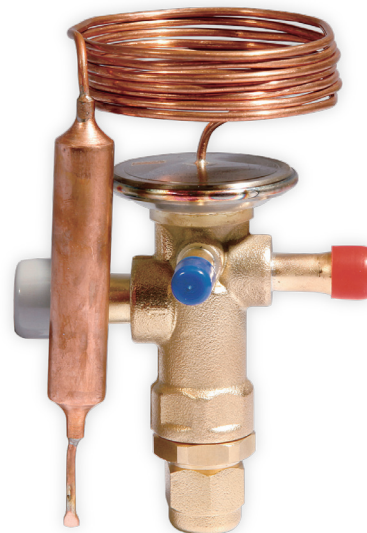




RFGD SERIES

THERMOSTATIC EXPANSION VALVE

RFGD series thermostatic expansion valves are used to adjust mass flow of refrigerant into the evaporator while controlling the refrigerant's superheat at the outlet of the evaporator. They can be used for various refrigerants under all working conditions. Typical applications are refrigeration systems like commercial refrigerators and freezers, icemakers, dehumidifiers as well as air conditioners at various evaporation temperatures.



FEATURES

- COMPACT DESIGN WITH BUILD-IN ORIFICE
- WARM THERMO HEAD CONSTRUCTION
- ALL CONNECTIONS PIPES ARE COMPLETELY IN COPPER
- VALVES WITH MOP FUNCTION CAN BE PROVIDED TO ASSURE RELIABLE COMPRESSOR OPERATION
- APPLICABLE IN A WIDE EVAPORATION TEMPERATURE RANGE
- RELIABLE AND CONSISTENT PERFORMANCE OF SUPERHEAT CONTROL
- BALANCED PORT - SUITABLE FOR REVERSIBLE CYCLES
- THERMAL BULB UTILIZES CROSS CHARGE TECHNOLOGY, PROVIDING CONSISTENT SUPERHEAT DEGREE OVER THE WHOLE EVAPORATION TEMPERATURE RANGE
- WIDE CAPACITIES RANGE SPLIT IN 9 ORIFICES SIZES:
 - RFGD10: (ORIFICES 1 TO 6)
 - RFGD20: (ORIFICES 7 TO 9)

GENERAL SPECIFICATION

- Applicable for all common HCFC and HFC refrigerants such as: R22, R134a, R404A, R407C, R410A, R507
- Ambient temperature min./max.: -35/+55°C
- Medium temperature TS min./max.: -40°C / +70°C
- Max. operating pressure PS: 4.8 Mpa¹⁾
- Installation position: - Preferably valve head upwards
- Main flow direction from inlet A to outlet B
- Certifications: UL/CSA and PED declaration

Note: 1) Max. operating pressure is related to the used refrigerant

THERMOSTATIC EXPANSION VALVE



TECHNICAL PARAMETERS

- RFGD valves are available in straight shape with adjustable superheat on site
- RFGD valves are available with the different solder and flare connections (see more details in following tables)
- RFGD valves are available with 2 different temperature ranges:
 - from -40°C to +10°C
 - from -25°C to +10°C
- Equalization port available as option:
 - Metric: 6mm ODF (available for models with metric solder connections)
 - Imperial: 1/4" ODF (available for models with imperial solder connections)
- Capillary tube length 1500mm as standard. Different length customizable on request.
- Standard MOP values:
 - T. range -40°C to +10°C: MOP: +15°C or MOP not present
 - T. range -25°C to +10°C: MOP: +15°C

MODEL DESIGNATION LEGEND

| Position Number | Model Designation Legend | |
|-----------------|--|---|
| 1 | Product Code | Product Series |
| | RFGD | Thermostatic expansion valve with build-in orifice |
| 2 | Refrigerant | Description |
| | 1 | R22 |
| | 2 | R407C |
| | 3 | R404A / R507 |
| | 4 | R134a |
| 5 | R410A | |
| 3 | Pressure Equalization | Description |
| | E (Omitted) | External pressure equalization Internal pressure equalization |
| 4 | Valve Size | Internal Orifice Size |
| | From 1 to 6 | Valve size: proportional to the orifice size and to the nominal capacity |
| 5 | Connections Type | Description |
| | M10/16 | Metric: inlet 10mm / outlet 16mm |
| | M12/22 | Metric: inlet 12mm / outlet 22mm |
| | M16/22 | Metric: inlet 16mm / outlet 22mm |
| | 3/5 | Imperial: inlet 3/8" / outlet 5/8" |
| | 4/7 | Imperial: inlet 1/2" / outlet 7/8" |
| | 5/7 | Imperial: inlet 5/8" / outlet 7/8" |
| | S5/6 | Both SAE Flare: inlet 5/8" / outlet 3/4" |
| I5/6 | Both MIO Flare: inlet 5/8" / outlet 3/4" | |
| O5/6 | Both ORFS inlet 5/8" / outlet 3/4" | |
| 6 | Miscellaneous | Description |
| | xxx | Digits for additional information e.g. static superheat, MOP, Bleed... |

THERMOSTATIC EXPANSION VALVE



MODEL DESIGNATION EXAMPLE

| Position Number | | | | | | According to Model Designation Legend |
|-----------------|-----------|----------|----------|------------|-------------|---|
| 1 | 2 | 3 | 4 | 5 | 6 | |
| RFGD | 04 | E | 3 | M16 | xxxx | Thermostatic expansion valve with build-in orifice |
| RFGD | 04 | E | 3 | M16 | xxxx | Refrigerant: R134a |
| RFGD | 04 | E | 3 | M16 | xxxx | With connection for external pressure equalization |
| RFGD | 04 | E | 3 | M16 | xxxx | Capacity: Valve and orifice size 3 |
| RFGD | 04 | E | 3 | M16 | xxxx | Valve pipe connections: metric inlet 16mm/outlet 22mm |
| RFGD | 04 | E | 3 | M16 | xxxx | Digits for additional information |

TECHNICAL DATA

Nominal Capacities¹

| R22 | | | R407C ²⁾ | | | R404A / R507A | | | R134a | | | R410A | | |
|--------------------------|----------|------|--------------------------|----------|------|--------------------------|----------|------|--------------------------|----------|------|--------------------------|----------|------|
| PS: 2,8 MPa | | | PS: 2,8 MPa | | | PS: 3,5 MPa | | | PS: 2,1 MPa | | | PS: 4,5 MPa | | |
| Model Name ³⁾ | Capacity | | Model Name ³⁾ | Capacity | | Model Name ³⁾ | Capacity | | Model Name ³⁾ | Capacity | | Model Name ³⁾ | Capacity | |
| | [USRT] | [kW] | | [USRT] | [kW] | | [USRT] | [kW] | | [USRT] | [kW] | | [USRT] | [kW] |
| RFGD 01-1 | 3,0 | 10,6 | RFGD 02-1 | 3,1 | 10,9 | RFGD 03-1 | 2,0 | 7,0 | RFGD 04-1 | 1,8 | 6,3 | RFGD 05-1 | 3,5 | 12,3 |
| RFGD 01E-1 | | | RFGD 02E-1 | | | RFGD 03E-1 | | | RFGD 04E-1 | | | RFGD 05E-1 | | |
| RFGD 01-2 | 4,0 | 14,1 | RFGD 02-2 | 4,2 | 14,8 | RFGD 03-2 | 2,8 | 9,8 | RFGD 04-2 | 2,5 | 8,8 | RFGD 05-2 | 4,5 | 15,8 |
| RFGD 01E-2 | | | RFGD 02E-2 | | | RFGD 03E-2 | | | RFGD 04E-2 | | | RFGD 05E-2 | | |
| RFGD 01-3 | 6,0 | 21,1 | RFGD 02-3 | 6,3 | 22,2 | RFGD 03-3 | 4,2 | 14,8 | RFGD 04-3 | 3,6 | 12,7 | RFGD 05-3 | 7,0 | 24,6 |
| RFGD 01E-3 | | | RFGD 02E-3 | | | RFGD 03E-3 | | | RFGD 04E-3 | | | RFGD 05E-3 | | |
| RFGD 01-4 | 7,5 | 26,4 | RFGD 02-4 | 8,1 | 28,5 | RFGD 03-4 | 5,4 | 19,0 | RFGD 04-4 | 4,6 | 16,2 | RFGD 05-4 | 8,6 | 30,2 |
| RFGD 01E-4 | | | RFGD 02E-4 | | | RFGD 03E-4 | | | RFGD 04E-4 | | | RFGD 05E-4 | | |
| RFGD 01-5 | 9,0 | 31,7 | RFGD 02-5 | 9,4 | 33,1 | RFGD 03-5 | 6,4 | 22,5 | RFGD 04-5 | 5,5 | 19,3 | RFGD 05-5 | 10,6 | 37,3 |
| RFGD 01E-5 | | | RFGD 02E-5 | | | RFGD 03E-5 | | | RFGD 04E-5 | | | RFGD 05E-5 | | |
| RFGD 01-6 | 11,0 | 38,7 | RFGD 02-6 | 11,7 | 41,1 | RFGD 03-6 | 7,8 | 27,4 | RFGD 04-6 | 6,8 | 23,9 | RFGD 05-6 | 12,8 | 45,0 |
| RFGD 01E-6 | | | RFGD 02E-6 | | | RFGD 03E-6 | | | RFGD 04E-6 | | | RFGD 05E-6 | | |
| RFGD 01-7 | 12,0 | 42,2 | RFGD 02-7 | 12,0 | 42,2 | RFGD 03-7 | 9,0 | 31,7 | RFGD 04-7 | 8,0 | 28,1 | RFGD 05-7 | 15,0 | 52,8 |
| RFGD 01E-7 | | | RFGD 02E-7 | | | RFGD 03E-7 | | | RFGD 04E-7 | | | RFGD 05E-7 | | |
| RFGD 01-8 | 15,0 | 52,8 | RFGD 02-8 | 15,0 | 52,8 | RFGD 03-8 | 11,0 | 38,7 | RFGD 04-8 | 10,0 | 35,2 | RFGD 05-8 | 19,0 | 66,8 |
| RFGD 01E-8 | | | RFGD 02E-8 | | | RFGD 03E-8 | | | RFGD 04E-8 | | | RFGD 05E-8 | | |
| RFGD 01-9 | 18,0 | 63,3 | RFGD 02-9 | 18,0 | 63,3 | RFGD 03-9 | 13,0 | 45,7 | RFGD 04-9 | 12,0 | 42,2 | RFGD 05-9 | 23,0 | 80,9 |
| RFGD 01E-9 | | | RFGD 02E-9 | | | RFGD 03E-9 | | | RFGD 04E-9 | | | RFGD 05E-9 | | |

Note:

- Nominal capacities referred at the following working conditions:
 Condensing temperature: 38°C; evaporating temperature +4,4°C; Liquid temperature 37°C
 Static Super Heating: 4 K
- R407C data based on dew point conditions
- Model Name in this table is referred to the first 4 positions of the model designation

THERMOSTATIC EXPANSION VALVE

RFGD10 MODEL LIST (WITH EXTERNAL EQUALIZATION) – SOLDER CONNECTION

| Model Name | | | | | | | | | | Temperature Range | |
|--------------|------------|-------------------------|------------------------------------|-------|--------|--------|--------|-----------------|--------|-------------------|----------------|
| Ref. | Valve Body | Capacity Size All Sizes | Pipe connections Metric / Imperial | Inlet | | Outlet | | Pressure Equal. | | -40°C to +10°C | -25°C to +10°C |
| | | | | [mm] | [inch] | [mm] | [inch] | [mm] | [inch] | No MOP | MOP: +15°C |
| R22 | RFGD 01E - | 1 | M10/16 | 10 | - | 16 | - | 6 | - | O.R. | O.R. |
| | | 2 | M12/22 | 12 | - | 22 | - | 6 | - | O.R. | O.R. |
| | | 3 | M16/22 | 16 | | 22 | | 6 | - | O.R. | O.R. |
| | | 4 | 3/5 | - | 3/8 | - | 5/8 | - | 1/4 | O.R. | O.R. |
| | | 5 | 4/7 | - | 1/2 | - | 7/8 | - | 1/4 | O.R. | O.R. |
| | | 6 | 5/7 | | 5/8 | | 7/8 | - | 1/4 | O.R. | O.R. |
| R407C | RFGD 02E - | 1 | M10/16 | 10 | - | 16 | - | 6 | - | STD | O.R. |
| | | 2 | M12/22 | 12 | - | 22 | - | 6 | - | STD | O.R. |
| | | 3 | M16/22 | 16 | | 22 | | 6 | - | STD | O.R. |
| | | 4 | 3/5 | - | 3/8 | - | 5/8 | - | 1/4 | STD | O.R. |
| | | 5 | 4/7 | - | 1/2 | - | 7/8 | - | 1/4 | STD | O.R. |
| | | 6 | 5/7 | | 5/8 | | 7/8 | - | 1/4 | STD | O.R. |
| R404A / R507 | RFGD 03E - | 1 | M10/16 | 10 | - | 16 | - | 6 | - | STD | O.R. |
| | | 2 | M12/22 | 12 | - | 22 | - | 6 | - | STD | O.R. |
| | | 3 | M16/22 | 16 | | 22 | | 6 | - | STD | O.R. |
| | | 4 | 3/5 | - | 3/8 | - | 5/8 | - | 1/4 | STD | O.R. |
| | | 5 | 4/7 | - | 1/2 | - | 7/8 | - | 1/4 | STD | O.R. |
| | | 6 | 5/7 | | 5/8 | | 7/8 | - | 1/4 | STD | O.R. |
| R134a | RFGD 04E - | 1 | M10/16 | 10 | - | 16 | - | 6 | - | STD | O.R. |
| | | 2 | M12/22 | 12 | - | 22 | - | 6 | - | STD | O.R. |
| | | 3 | M16/22 | 16 | | 22 | | 6 | - | STD | O.R. |
| | | 4 | 3/5 | - | 3/8 | - | 5/8 | - | 1/4 | STD | O.R. |
| | | 5 | 4/7 | - | 1/2 | - | 7/8 | - | 1/4 | STD | O.R. |
| | | 6 | 5/7 | | 5/8 | | 7/8 | - | 1/4 | STD | O.R. |
| R410A | RFGD 05E - | 1 | M10/16 | 10 | - | 16 | - | 6 | - | STD | O.R. |
| | | 2 | M12/22 | 12 | - | 22 | - | 6 | - | STD | O.R. |
| | | 3 | M16/22 | 16 | | 22 | | 6 | - | STD | O.R. |
| | | 4 | 3/5 | - | 3/8 | - | 5/8 | - | 1/4 | STD | O.R. |
| | | 5 | 4/7 | - | 1/2 | - | 7/8 | - | 1/4 | STD | O.R. |
| | | 6 | 5/7 | | 5/8 | | 7/8 | - | 1/4 | STD | STD*) |

THERMOSTATIC EXPANSION VALVE



RFGD20 MODEL LIST (WITH EXTERNAL EQUALIZATION) – SOLDER CONNECTION

| | | Model Name | | | | | | | | Temperature Range | |
|--------------|------------|-------------------------|------------------------------------|-------|--------|--------|--------|-----------------|--------|-------------------|----------------|
| Ref. | Valve Body | Capacity Size All Sizes | Pipe connections Metric / Imperial | Inlet | | Outlet | | Pressure Equal. | | -40°C to +10°C | -25°C to +10°C |
| | | | | [mm] | [inch] | [mm] | [inch] | [mm] | [inch] | No MOP | MOP: +15°C |
| R22 | RFGD 01E - | 7 | M16/22 | 16 | | 22 | | 6 | | O.R. | O.R. |
| | | 7 | M16/28 | 16 | | 28 | | 6 | | O.R. | O.R. |
| | | 8 | M16/28 | 16 | | 28 | | 6 | | O.R. | O.R. |
| | | 8 | M22/28 | 22 | | 28 | | 6 | | O.R. | O.R. |
| | | 9 | M22/28 | 22 | | 28 | | 6 | | O.R. | O.R. |
| | | 9 | M22/35 | 22 | | 35 | | 6 | | O.R. | O.R. |
| | | 7 | 5/7 | | 5/8 | | 7/8 | | 1/4 | O.R. | O.R. |
| | | 7 | 5/9 | | 5/8 | | 1-1/8 | | 1/4 | O.R. | O.R. |
| | | 8 | 5/9 | | 5/8 | | 1-1/8 | | 1/4 | O.R. | O.R. |
| | | 8 | 7/9 | | 7/8 | | 1-1/8 | | 1/4 | O.R. | O.R. |
| | | 9 | 7/9 | | 7/8 | | 1-1/8 | | 1/4 | O.R. | O.R. |
| | | 9 | 7/11 | | 7/8 | | 1-3/8 | | 1/4 | O.R. | O.R. |
| R407C | RFGD 02E - | 7 | M16/22 | 16 | | 22 | | 6 | | STD | STD |
| | | 7 | M16/28 | 16 | | 28 | | 6 | | STD | STD |
| | | 8 | M16/28 | 16 | | 28 | | 6 | | STD | STD |
| | | 8 | M22/28 | 22 | | 28 | | 6 | | STD | STD |
| | | 9 | M22/28 | 22 | | 28 | | 6 | | STD | STD |
| | | 9 | M22/35 | 22 | | 35 | | 6 | | STD | STD |
| | | 7 | 5/7 | | 5/8 | | 7/8 | | 1/4 | STD | STD |
| | | 7 | 5/9 | | 5/8 | | 1-1/8 | | 1/4 | STD | STD |
| | | 8 | 5/9 | | 5/8 | | 1-1/8 | | 1/4 | STD | STD |
| | | 8 | 7/9 | | 7/8 | | 1-1/8 | | 1/4 | STD | STD |
| | | 9 | 7/9 | | 7/8 | | 1-1/8 | | 1/4 | STD | STD |
| | | 9 | 7/11 | | 7/8 | | 1-3/8 | | 1/4 | STD | STD |
| R404A / R507 | RFGD 03E - | 7 | M16/22 | 16 | | 22 | | 6 | | STD | STD |
| | | 7 | M16/28 | 16 | | 28 | | 6 | | STD | STD |
| | | 8 | M16/28 | 16 | | 28 | | 6 | | STD | STD |
| | | 8 | M22/28 | 22 | | 28 | | 6 | | STD | STD |
| | | 9 | M22/28 | 22 | | 28 | | 6 | | STD | STD |
| | | 9 | M22/35 | 22 | | 35 | | 6 | | STD | STD |
| | | 7 | 5/7 | | 5/8 | | 7/8 | | 1/4 | STD | STD |
| | | 7 | 5/9 | | 5/8 | | 1-1/8 | | 1/4 | STD | STD |
| | | 8 | 5/9 | | 5/8 | | 1-1/8 | | 1/4 | STD | STD |
| | | 8 | 7/9 | | 7/8 | | 1-1/8 | | 1/4 | STD | STD |
| | | 9 | 7/9 | | 7/8 | | 1-1/8 | | 1/4 | STD | STD |
| | | 9 | 7/11 | | 7/8 | | 1-3/8 | | 1/4 | STD | STD |

THERMOSTATIC EXPANSION VALVE



RFGD20 MODEL LIST (WITH EXTERNAL EQUALIZATION) – SOLDER CONNECTION

| Model Name | | | | | | | | | | Temperature Range | |
|------------|------------|-------------------------|------------------------------------|-------|--------|--------|--------|-----------------|--------|-------------------|----------------|
| Ref. | Valve Body | Capacity Size All Sizes | Pipe connections Metric / Imperial | Inlet | | Outlet | | Pressure Equal. | | -40°C to +10°C | -25°C to +10°C |
| | | | | [mm] | [inch] | [mm] | [inch] | [mm] | [inch] | No MOP | MOP: +15°C |
| R134a | RFGD 04E - | 7 | M16/22 | 16 | | 22 | | 6 | | STD | STD |
| | | 7 | M16/28 | 16 | | 28 | | 6 | | STD | STD |
| | | 8 | M16/28 | 16 | | 28 | | 6 | | STD | STD |
| | | 8 | M22/28 | 22 | | 28 | | 6 | | STD | STD |
| | | 9 | M22/28 | 22 | | 28 | | 6 | | STD | STD |
| | | 9 | M22/35 | 22 | | 35 | | 6 | | STD | STD |
| | | 7 | 5/7 | | 5/8 | | 7/8 | | 1/4 | STD | STD |
| | | 7 | 5/9 | | 5/8 | | 1-1/8 | | 1/4 | STD | STD |
| | | 8 | 5/9 | | 5/8 | | 1-1/8 | | 1/4 | STD | STD |
| | | 8 | 7/9 | | 7/8 | | 1-1/8 | | 1/4 | STD | STD |
| | | 9 | 7/9 | | 7/8 | | 1-1/8 | | 1/4 | STD | STD |
| | | 9 | 7/11 | | 7/8 | | 1-3/8 | | 1/4 | STD | STD |
| R410A | RFGD 05E - | 7 | M16/22 | 16 | | 22 | | 6 | | STD | STD |
| | | 7 | M16/28 | 16 | | 28 | | 6 | | STD | STD |
| | | 8 | M16/28 | 16 | | 28 | | 6 | | STD | STD |
| | | 8 | M22/28 | 22 | | 28 | | 6 | | STD | STD |
| | | 9 | M22/28 | 22 | | 28 | | 6 | | STD | STD |
| | | 9 | M22/35 | 22 | | 35 | | 6 | | STD | STD |
| | | 7 | 5/7 | | 5/8 | | 7/8 | | 1/4 | STD | STD |
| | | 7 | 5/9 | | 5/8 | | 1-1/8 | | 1/4 | STD | STD |
| | | 8 | 5/9 | | 5/8 | | 1-1/8 | | 1/4 | STD | STD |
| | | 8 | 7/9 | | 7/8 | | 1-1/8 | | 1/4 | STD | STD |
| | | 9 | 7/9 | | 7/8 | | 1-1/8 | | 1/4 | STD | STD |
| | | 9 | 7/11 | | 7/8 | | 1-3/8 | | 1/4 | STD | STD |

THERMOSTATIC EXPANSION VALVE



RFGD20 MODEL LIST (WITH EXTERNAL EQUALIZATION) – FLARE CONNECTION

| Model Name | | | | | | | Temperature Range | |
|------------|------------|-------------------------|------------------------|--------|--------|-----------------|-------------------|----------------|
| Ref. | Valve Body | Capacity Size All Sizes | Pipe connections Flare | Inlet | Outlet | Pressure Equal. | -40°C to +10°C | -25°C to +10°C |
| | | | | [inch] | [inch] | [inch] | No MOP | MOP: +15°C |
| R134a | RFGD 04E - | 7 | SAE | 5/8 | 3/4 | 1/4 | O.R. | STD |
| | | 7 | MIO | 5/8 | 3/4 | 1/4 | STD | STD |
| | | 7 | ORFS | 5/8 | 3/4 | 1/4 | O.R. | O.R. |
| | | 8 | SAE | 5/8 | 3/4 | 1/4 | STD | STD |
| | | 8 | MIO | 5/8 | 3/4 | 1/4 | STD | STD |
| | | 8 | ORFS | 5/8 | 3/4 | 1/4 | O.R. | O.R. |
| | | 9 | SAE | 5/8 | 3/4 | 1/4 | STD | STD |
| | | 9 | MIO | 5/8 | 3/4 | 1/4 | STD | STD |
| | | 9 | ORFS | 5/8 | 3/4 | 1/4 | O.R. | STD |

- Note:** 1) Extent of delivery: valve body and bulb strap
 2) O.R. : On Request
 3) N.A.: Not Available
 4) STD: Standard Models available on stock (see Standard Model Table for further details)

THERMOSTATIC EXPANSION VALVE

RFGD STANDARD RANGE
A) Models with Metric Connections
RFGD10 (orifice 1-6) -40°C to +10°C (Models without MOP)

| Ref. | Valve Body | Capacity Size All Sizes | Connections IN x OUT | | Pressure Equal. | Model Name | Product Number U11 Code Multi-Pack |
|--------------------|------------|----------------------------|-------------------------|---------|--------------------|------------------|--|
| | | | Metric | [mm] | [mm] | | |
| R407C | RFGD 02E | 1 - | M10/16 | 10 x 16 | 6 | RFGD 02E-3.1-57 | 10205009002 |
| | | 2 - | M12/22 | 12 x 22 | 6 | RFGD 02E-4.2-58 | 10205009102 |
| | | 3 - | M12/22 | 12 x 22 | 6 | RFGD 02E-6.3-59 | 10205009202 |
| | | 4 - | M12/22 | 12 x 22 | 6 | RFGD 02E-8.1-60 | 10205009302 |
| | | 5 - | M16/22 | 16 x 22 | 6 | RFGD 02E-9.4-61 | 10205009402 |
| | | 6 - | M16/22 | 16 x 22 | 6 | RFGD 02E-11.7-62 | 10205009502 |
| R404A / R507 | RFGD 03E | 1 - | M10/16 | 10 x 16 | 6 | RFGD 03E-2.0-63 | 10205009602 |
| | | 2 - | M12/22 | 12 x 22 | 6 | RFGD 03E-2.8-64 | 10205009702 |
| | | 3 - | M12/22 | 12 x 22 | 6 | RFGD 03E-4.2-65 | 10205009802 |
| | | 4 - | M12/22 | 12 x 22 | 6 | RFGD 03E-5.4-66 | 10205009902 |
| | | 5 - | M16/22 | 16 x 22 | 6 | RFGD 03E-6.4-67 | 10205010002 |
| | | 6 - | M16/22 | 16 x 22 | 6 | RFGD 03E-7.8-68 | 10205010102 |
| R134a | RFGD 04E | 1 - | M10/16 | 10 x 16 | 6 | RFGD 04E-1.8-69 | 10205010202 |
| | | 2 - | M12/22 | 12 x 22 | 6 | RFGD 04E-2.5-70 | 10205010302 |
| | | 3 - | M12/22 | 12 x 22 | 6 | RFGD 04E-3.6-71 | 10205010402 |
| | | 4 - | M12/22 | 12 x 22 | 6 | RFGD 04E-4.6-72 | 10205010502 |
| | | 5 - | M16/22 | 16 x 22 | 6 | RFGD 04E-5.5-73 | 10205010602 |
| | | 6 - | M16/22 | 16 x 22 | 6 | RFGD 04E-6.8-74 | 10205010702 |
| R410A | RFGD 05E | 1 - | M10/16 | 10 x 16 | 6 | RFGD 05E-3.5-75 | 10205010802 |
| | | 2 - | M12/22 | 12 x 22 | 6 | RFGD 05E-4.5-76 | 10205010902 |
| | | 3 - | M12/22 | 12 x 22 | 6 | RFGD 05E-7.0-77 | 10205011002 |
| | | 4 - | M12/22 | 16 x 22 | 6 | RFGD 05E-8.6-78 | 10205011102 |
| | | 5 - | M16/22 | 16 x 22 | 6 | RFGD 05E-10.6-79 | 10205011202 |
| | | 6 - | M16/22 | 16 x 22 | 6 | RFGD 05E-12.8-80 | 10205011302 |

THERMOSTATIC EXPANSION VALVE

RFGD STANDARD RANGE
B) Models with Metric Connections
RFGD20 (orifice 7-9) -40°C to +10°C (Models without MOP)

| Ref. | Valve Body | Capacity Size All Sizes | Connections IN x OUT | | Pressure Equal. | Model Name | Product Number U11 Code Multi-Pack |
|--------------------|------------|----------------------------|-------------------------|---------|--------------------|------------------|--|
| | | | Metric | [mm] | [mm] | | |
| R407C | RFGD 02E | 7 - | M16/22 | 16 x 22 | 6 | RFGD02E-12.0-565 | 10205065202 |
| | | 7 - | M16/28 | 16 x 28 | 6 | RFGD02E-12.0-544 | 10205057502 |
| | | 8 - | M16/28 | 16 x 28 | 6 | RFGD02E-15.0-546 | 10205057702 |
| | | 8 - | M22/28 | 22 x 28 | 6 | RFGD02E-15.0-548 | 10205057902 |
| | | 9 - | M22/28 | 22 x 28 | 6 | RFGD02E-18.0-550 | 10205058102 |
| | | 9 - | M22/35 | 22 x 35 | 6 | RFGD02E-18.0-566 | 10205065302 |
| R404A / R507 | RFGD 03E | 7 - | M16/22 | 16 x 22 | 6 | RFGD03E-9.0-563 | 10205066502 |
| | | 7 - | M16/28 | 16 x 28 | 6 | RFGD03E-9.0-534 | 10205056502 |
| | | 8 - | M16/28 | 16 x 28 | 6 | RFGD03E-11.0-536 | 10205056702 |
| | | 8 - | M22/28 | 22 x 28 | 6 | RFGD03E-11.0-538 | 10205056902 |
| | | 9 - | M22/28 | 22 x 28 | 6 | RFGD03E-13.0-540 | 10205057102 |
| | | 9 - | M22/35 | 22 x 35 | 6 | RFGD03E-13.0-564 | 10205065102 |
| R134a | RFGD 04E | 7 - | M16/22 | 16 x 22 | 6 | RFGD04E-8.0-559 | 10205066102 |
| | | 7 - | M16/28 | 16 x 28 | 6 | RFGD04E-8.0-503 | 10205054302 |
| | | 8 - | M16/28 | 16 x 28 | 6 | RFGD04E-10.0-515 | 10205054502 |
| | | 8 - | M22/28 | 22 x 28 | 6 | RFGD04E-10.0-521 | 10205054702 |
| | | 9 - | M22/28 | 22 x 28 | 6 | RFGD04E-12.0-523 | 10205054902 |
| | | 9 - | M22/35 | 22 x 35 | 6 | RFGD04E-12.0-560 | 10205066202 |
| R410A | RFGD 05E | 7 - | M16/22 | 16 x 22 | 6 | RFGD05E-15.0-567 | 10205065402 |
| | | 7 - | M16/28 | 16 x 28 | 6 | RFGD05E-15.0-552 | 10205058502 |
| | | 8 - | M16/28 | 16 x 28 | 6 | RFGD05E-19.0-553 | 10205058702 |
| | | 8 - | M22/28 | 22 x 28 | 6 | RFGD05E-19.0-554 | 10205058902 |
| | | 9 - | M22/28 | 22 x 28 | 6 | RFGD05E-23.0-556 | 10205059102 |
| | | 9 - | M22/35 | 22 x 35 | 6 | RFGD05E-23.0-568 | 10205065502 |

THERMOSTATIC EXPANSION VALVE



RFGD STANDARD RANGE

C) Models with Metric Connections

RFGD20 (orifice 7-9) -25°C to +10°C with MOP +15°C

| Ref. | Valve Body | Capacity Size All Sizes | Connections IN x OUT | | Pressure Equal. | Model Name | Product Number U11 Code Multi-Pack |
|--------------------|------------|----------------------------|-------------------------|---------|--------------------|------------------|--|
| | | | Metric | [mm] | [mm] | | |
| R407C | RFGD 02E | 7 - | M16/22 | 16 x 22 | 6 | RFGD02E-12.0-663 | 10205064702 |
| | | 7 - | M16/28 | 16 x 28 | 6 | RFGD02E-12.0-639 | 10205062802 |
| | | 8 - | M16/28 | 16 x 28 | 6 | RFGD02E-15.0-641 | 10205063002 |
| | | 8 - | M22/28 | 22 x 28 | 6 | RFGD02E-15.0-643 | 10205063202 |
| | | 9 - | M22/28 | 22 x 28 | 6 | RFGD02E-18.0-645 | 10205063402 |
| | | 9 - | M22/35 | 22 x 35 | 6 | RFGD02E-18.0-664 | 10205064802 |
| R404A / R507 | RFGD 03E | 7 - | M16/22 | 16 x 22 | 6 | RFGD03E-9.0-661 | 10205066002 |
| | | 7 - | M16/28 | 16 x 28 | 6 | RFGD03E-9.0-629 | 10205061802 |
| | | 8 - | M16/28 | 16 x 28 | 6 | RFGD03E-11.0-631 | 10205062002 |
| | | 8 - | M22/28 | 22 x 28 | 6 | RFGD03E-11.0-633 | 10205062202 |
| | | 9 - | M22/28 | 22 x 28 | 6 | RFGD03E-13.0-635 | 10205062402 |
| | | 9 - | M22/35 | 22 x 35 | 6 | RFGD03E-13.0-662 | 10205064602 |
| R134a | RFGD 04E | 7 - | M16/22 | 16 x 22 | 6 | RFGD04E-8.0-657 | 10205065602 |
| | | 7 - | M16/28 | 16 x 28 | 6 | RFGD04E-8.0-603 | 10205059402 |
| | | 8 - | M16/28 | 16 x 28 | 6 | RFGD04E-10.0-605 | 10205059602 |
| | | 8 - | M22/28 | 22 x 28 | 6 | RFGD04E-10.0-607 | 10205059802 |
| | | 9 - | M22/28 | 22 x 28 | 6 | RFGD04E-12.0-609 | 10205060002 |
| | | 9 - | M22/35 | 22 x 35 | 6 | RFGD04E-12.0-658 | 10205065702 |
| R410A | RFGD 05E | 7 - | M16/22 | 16 x 22 | 6 | RFGD05E-15.0-665 | 10205064902 |
| | | 7 - | M16/28 | 16 x 28 | 6 | RFGD05E-15.0-649 | 10205063802 |
| | | 8 - | M16/28 | 16 x 28 | 6 | RFGD05E-19.0-651 | 10205064002 |
| | | 8 - | M22/28 | 22 x 28 | 6 | RFGD05E-19.0-653 | 10205064202 |
| | | 9 - | M22/28 | 22 x 28 | 6 | RFGD05E-23.0-655 | 10205064402 |
| | | 9 - | M22/35 | 22 x 35 | 6 | RFGD05E-23.0-666 | 10205065002 |

THERMOSTATIC EXPANSION VALVE

RFGD STANDARD RANGE
D) Models with Imperial Connections
RFGD10 (orifice 1-6) -40°C to +10°C (Models without MOP)

| Ref. | MWP [MPa] | Valve Body | Capacity Size All Sizes | Connections IN x OUT | | Pressure Equal. | Model Name | Product Number U11 Code Multi-Pack |
|--------------------|----------------|------------|----------------------------|-------------------------|-----------|--------------------|------------------|--|
| | | | | Imperial | [inch] | [inch] | | |
| R407C | 2,8 | RFGD 02E | 1 - | 3/5 | 3/8 x 5/8 | 1/4 | RFGD 02E-3.1-33 | 10205008402 |
| | | | 2 - | 4/7 | 1/2 x 7/8 | 1/4 | RFGD 02E-4.2-34 | 10205007002 |
| | | | 3 - | 4/7 | 1/2 x 7/8 | 1/4 | RFGD 02E-6.3-35 | 10205008502 |
| | | | 4 - | 5/7 | 5/8 x 7/8 | 1/4 | RFGD 02E-8.1-36 | 10205007802 |
| | | | 5 - | 5/7 | 5/8 x 7/8 | 1/4 | RFGD 02E-9.4-37 | 10205007902 |
| | | | 6 - | 5/7 | 5/8 x 7/8 | 1/4 | RFGD 02E-11.7-38 | 10205008002 |
| R404A / R507 | 3,5 | RFGD 03E | 1 - | 3/5 | 3/8 x 5/8 | 1/4 | RFGD 03E-2.0-39 | 10205008102 |
| | | | 2 - | 4/7 | 1/2 x 7/8 | 1/4 | RFGD 03E-2.8-40 | 10205008202 |
| | | | 3 - | 4/7 | 1/2 x 7/8 | 1/4 | RFGD 03E-4.2-41 | 10205008302 |
| | | | 4 - | 5/7 | 5/8 x 7/8 | 1/4 | RFGD 03E-5.4-42 | 10205008602 |
| | | | 5 - | 5/7 | 5/8 x 7/8 | 1/4 | RFGD 03E-6.4-43 | 10205008702 |
| | | | 6 - | 5/7 | 5/8 x 7/8 | 1/4 | RFGD 03E-7.8-44 | 10205008802 |
| R134a | 2,1 | RFGD 04E | 1 - | 3/5 | 3/8 x 5/8 | 1/4 | RFGD 04E-1.8-01 | 10205026702 |
| | | | 2 - | 4/7 | 1/2 x 7/8 | 1/4 | RFGD 04E-2.5-02 | 10205026702 |
| | | | 3 - | 4/7 | 1/2 x 7/8 | 1/4 | RFGD 04E-3.6-03 | 10205026902 |
| | | | 4 - | 5/7 | 5/8 x 7/8 | 1/4 | RFGD 04E-4.6-04 | 10205027002 |
| | | | 5 - | 5/7 | 5/8 x 7/8 | 1/4 | RFGD 04E-5.5-49 | 10205008902 |
| | | | 6 - | 5/7 | 5/8 x 7/8 | 1/4 | RFGD 04E-6.8-32 | 10205004402 |
| R410A | 4,5 | RFGD 05E | 1 - | 3/5 | 3/8 x 5/8 | 1/4 | RFGD 05E-3.5-22 | 10205002502 |
| | | | 2 - | 4/7 | 1/2 x 7/8 | 1/4 | RFGD 05E-4.5-23 | 10205002702 |
| | | | 3 - | 4/7 | 1/2 x 7/8 | 1/4 | RFGD 05E-7.0-24 | 10205002802 |
| | | | 4 - | 5/7 | 5/8 x 7/8 | 1/4 | RFGD 05E-8.6-25 | 10205002902 |
| | | | 5 - | 5/7 | 5/8 x 7/8 | 1/4 | RFGD 05E-10.6-27 | 10205003102 |
| | | | 6 - | 5/7 | 5/8 x 7/8 | 1/4 | RFGD 05E-12.8-26 | 10205003002 |

THERMOSTATIC EXPANSION VALVE



RFGD STANDARD RANGE

E) Models with Imperial Connections

RFGD20 (orifice 7-9) -40°C to +10°C (Models without MOP)

| Ref. | Valve Body | Capacity Size All Sizes | Connections IN x OUT | | Pressure Equal. | Model Name | Product Number U11 Code Multi-Pack |
|--------------------|------------|----------------------------|-------------------------|-------------|--------------------|------------------|--|
| | | | Imperial | [inch] | [inch] | | |
| R407C | RFGD 02E | 7 - | 5/7 | 5/8 x 7/8 | 1/4 | RFGD02E-12.0-542 | 10205057302 |
| | | 7 - | 5/9 | 5/8 x 1-1/8 | 1/4 | RFGD02E-12.0-543 | 10205057402 |
| | | 8 - | 5/9 | 5/8 x 1-1/8 | 1/4 | RFGD02E-15.0-545 | 10205057602 |
| | | 8 - | 7/9 | 7/8 x 1-1/8 | 1/4 | RFGD02E-15.0-547 | 10205057802 |
| | | 9 - | 7/9 | 7/8 x 1-1/8 | 1/4 | RFGD02E-18.0-549 | 10205058002 |
| | | 9 - | 7/11 | 7/8 x 1-3/8 | 1/4 | RFGD02E-18.0-551 | 10205058202 |
| R404A / R507 | RFGD 03E | 7 - | 5/7 | 5/8 x 7/8 | 1/4 | RFGD03E-9.0-532 | 10205056302 |
| | | 7 - | 5/9 | 5/8 x 1-1/8 | 1/4 | RFGD03E-9.0-533 | 10205056402 |
| | | 8 - | 5/9 | 5/8 x 1-1/8 | 1/4 | RFGD03E-11.0-535 | 10205056602 |
| | | 8 - | 7/9 | 7/8 x 1-1/8 | 1/4 | RFGD03E-11.0-537 | 10205056802 |
| | | 9 - | 7/9 | 7/8 x 1-1/8 | 1/4 | RFGD03E-13.0-539 | 10205057002 |
| | | 9 - | 7/11 | 7/8 x 1-3/8 | 1/4 | RFGD03E-13.0-541 | 10205057202 |
| R134a | RFGD 04E | 7 - | 5/7 | 5/8 x 7/8 | 1/4 | RFGD04E-8.0-501 | 10205054102 |
| | | 7 - | 5/9 | 5/8 x 1-1/8 | 1/4 | RFGD04E-8.0-502 | 10205054202 |
| | | 8 - | 5/9 | 5/8 x 1-1/8 | 1/4 | RFGD04E-10.0-504 | 10205054402 |
| | | 8 - | 7/9 | 7/8 x 1-1/8 | 1/4 | RFGD04E-10.0-520 | 10205054602 |
| | | 9 - | 7/9 | 7/8 x 1-1/8 | 1/4 | RFGD04E-12.0-522 | 10205054802 |
| | | 9 - | 7/11 | 7/8 x 1-3/8 | 1/4 | RFGD04E-12.0-524 | 10205055002 |
| R410A | RFGD 05E | 7 - | 5/7 | 5/8 x 7/8 | 1/4 | RFGD05E-15.0-510 | 10205058302 |
| | | 7 - | 5/9 | 5/8 x 1-1/8 | 1/4 | RFGD05E-15.0-511 | 10205058402 |
| | | 8 - | 5/9 | 5/8 x 1-1/8 | 1/4 | RFGD05E-19.0-512 | 10205058602 |
| | | 8 - | 7/9 | 7/8 x 1-1/8 | 1/4 | RFGD05E-19.0-517 | 10205058802 |
| | | 9 - | 7/9 | 7/8 x 1-1/8 | 1/4 | RFGD05E-23.0-555 | 10205059002 |
| | | 9 - | 7/11 | 7/8 x 1-3/8 | 1/4 | RFGD05E-23.0-557 | 10205059202 |

THERMOSTATIC EXPANSION VALVE



RFGD STANDARD RANGE

F) Models with Imperial Connections

RFGD20 (orifice 7-9) -25°C to +10°C with MOP +15°C

| Ref. | Valve Body | Capacity Size All Sizes | Connections IN x OUT | | Pressure Equal. | Model Name | Product Number U11 Code Multi-Pack |
|--------------------|------------|----------------------------|-------------------------|-------------|--------------------|------------------|--|
| | | | Imperial | [inch] | [inch] | | |
| R407C | RFGD 02E | 7 - | 5/7 | 5/8 x 7/8 | 1/4 | RFGD02E-12.0-637 | 10205062602 |
| | | 7 - | 5/9 | 5/8 x 1-1/8 | 1/4 | RFGD02E-12.0-638 | 10205062702 |
| | | 8 - | 5/9 | 5/8 x 1-1/8 | 1/4 | RFGD02E-15.0-640 | 10205062902 |
| | | 8 - | 7/9 | 7/8 x 1-1/8 | 1/4 | RFGD02E-15.0-642 | 10205063102 |
| | | 9 - | 7/9 | 7/8 x 1-1/8 | 1/4 | RFGD02E-18.0-644 | 10205063302 |
| | | 9 - | 7/11 | 7/8 x 1-3/8 | 1/4 | RFGD02E-18.0-646 | 10205063502 |
| R404A / R507 | RFGD 03E | 7 - | 5/7 | 5/8 x 7/8 | 1/4 | RFGD03E-9.0-627 | 10205061602 |
| | | 7 - | 5/9 | 5/8 x 1-1/8 | 1/4 | RFGD03E-9.0-628 | 10205061702 |
| | | 8 - | 5/9 | 5/8 x 1-1/8 | 1/4 | RFGD03E-11.0-630 | 10205061902 |
| | | 8 - | 7/9 | 7/8 x 1-1/8 | 1/4 | RFGD03E-11.0-632 | 10205062102 |
| | | 9 - | 7/9 | 7/8 x 1-1/8 | 1/4 | RFGD03E-13.0-634 | 10205062302 |
| | | 9 - | 7/11 | 7/8 x 1-3/8 | 1/4 | RFGD03E-13.0-636 | 10205062502 |
| R134a | RFGD 04E | 7 - | 5/7 | 5/8 x 7/8 | 1/4 | RFGD04E-8.0-601 | 10205051202 |
| | | 7 - | 5/9 | 5/8 x 1-1/8 | 1/4 | RFGD04E-8.0-602 | 10205059302 |
| | | 8 - | 5/9 | 5/8 x 1-1/8 | 1/4 | RFGD04E-10.0-604 | 10205059502 |
| | | 8 - | 7/9 | 7/8 x 1-1/8 | 1/4 | RFGD04E-10.0-606 | 10205059702 |
| | | 9 - | 7/9 | 7/8 x 1-1/8 | 1/4 | RFGD04E-12.0-608 | 10205059902 |
| | | 9 - | 7/11 | 7/8 x 1-3/8 | 1/4 | RFGD04E-12.0-610 | 10205060102 |
| R410A | RFGD 05E | 7 - | 5/7 | 5/8 x 7/8 | 1/4 | RFGD05E-15.0-647 | 10205063602 |
| | | 7 - | 5/9 | 5/8 x 1-1/8 | 1/4 | RFGD05E-15.0-648 | 10205063702 |
| | | 8 - | 5/9 | 5/8 x 1-1/8 | 1/4 | RFGD05E-19.0-650 | 10205063902 |
| | | 8 - | 7/9 | 7/8 x 1-1/8 | 1/4 | RFGD05E-19.0-652 | 10205064102 |
| | | 9 - | 7/9 | 7/8 x 1-1/8 | 1/4 | RFGD05E-23.0-654 | 10205064302 |
| | | 9 - | 7/11 | 7/8 x 1-3/8 | 1/4 | RFGD05E-23.0-656 | 10205064502 |

THERMOSTATIC EXPANSION VALVE

RFGD STANDARD RANGE
G) Models with Flare Connections
RFGD20 -40°C to +10°C without MOP

| Ref. | Valve Body | Capacity Size All Sizes | Connections | | | Model Name | Product Number U11 Code Multi-Pack |
|-------|------------|----------------------------|-------------|--------------|-----------------|------------------|--|
| | | | Flare | IN x OUT x E | Flare Type | | |
| R134a | RFGD 04E - | 7 - | I5/6 | 5/8×3/4×1/4 | MIO x MIO x MIO | RFGD04E-8.0-525 | 10205055102 |
| | | 8 - | I5/6 | 5/8×3/4×1/4 | MIO x MIO x MIO | RFGD04E-10.0-526 | 10205055202 |
| | | 8 - | S5/6 | 5/8×3/4×1/4 | SAE x SAE x SAE | RFGD04E-10.0-527 | 10205055302 |
| | | 9 - | I5/6 | 5/8×3/4×1/4 | MIO x MIO x MIO | RFGD04E-12.0-528 | 10205055402 |

Connections

1) MIO: Inlet = 7/8-14UNF-2A ; Outlet = 17/16-14UNS-2A ; Ext. Equalization port = 7/16-20UNF-2A

2) SAE: Inlet = 7/8-14UNF-2A ; Outlet = 17/16-14UNS-2A ; Ext. Equalization port = 7/16-20UNF-2A

H) Models with Flare Connections
RFGD20 -25°C to +10°C with MOP +15°C

| Ref. | Valve Body | Capacity Size All Sizes | Connections | | | Model Name | Product Number U11 Code Multi-Pack |
|-------|------------|----------------------------|-------------|--------------|-------------------|------------------|--|
| | | | Flare | IN x OUT x E | Flare Type | | |
| R134a | RFGD 04E - | 7 - | I5/6 | 5/8×3/4×1/4 | MIO x MIO x MIO | RFGD04E-8.0-611 | 10205051902 |
| | | 7 - | S5/6 | 5/8×3/4×1/4 | SAE x SAE x SAE | RFGD04E-8.0-612 | 10205060202 |
| | | 8 - | I5/6 | 5/8×3/4×1/4 | MIO x MIO x MIO | RFGD04E-10.0-613 | 10205052002 |
| | | 8 - | S5/6 | 5/8×3/4×1/4 | SAE x SAE x SAE | RFGD04E-10.0-614 | 10205060302 |
| | | 9 - | S5/6 | 5/8×3/4×1/4 | SAE x SAE x SAE | RFGD04E-12.0-615 | 10205060402 |
| | | 9 - | O5/6 | 5/8×3/4×1/4 | ORFS x ORFS x SAE | RFGD04E-12.0-616 | 10205060502 |

Connections

1) MIO: Inlet = 7/8-14UNF-2A ; Outlet = 17/16-14UNS-2A ; Ext. Equalization port = 7/16-20UNF-2A

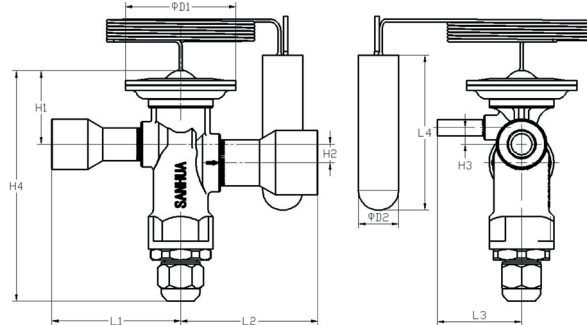
2) SAE: Inlet = 7/8-14UNF-2A ; Outlet = 17/16-14UNS-2A ; Ext. Equalization port = 7/16-20UNF-2A

3) ORFS: Inlet = 1-14UNS-2A; Outlet = 1-3/16-12UN-2A; Ext. Equalization port = 7/16-20UNF-2A

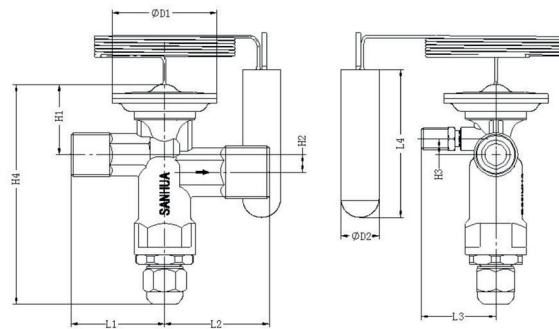
THERMOSTATIC EXPANSION VALVE



DIMENSIONS



| Model | Connections | | Capillary | Dimensions [mm] | | | | | | | | | |
|--------|-------------|--------|-----------|-----------------|------|------|------|------|------|------|------|------|------|
| | Imperial | Metric | | H1 | H2 | H3 | H4 | L1 | L2 | L3 | L4 | ΦD1 | ΦD2 |
| | [inch] | [mm] | | [mm] | [mm] | [mm] | [mm] | [mm] | [mm] | [mm] | [mm] | [mm] | [mm] |
| RFGD10 | 3/8×5/8 | 10×16 | 1.5 | 30 | 7.5 | 5 | 97 | 41.5 | 45.5 | 37.5 | 64 | 48 | 14.4 |
| | 1/2×7/8 | 12×22 | | | | | | 41.5 | 59.5 | | | | |
| | 5/8×7/8 | 16×22 | | | | | | 45.5 | 59.5 | | | | |
| RFGD20 | 5/8×7/8 | 16×22 | 1.5 | 32 | 9 | 8 | 111 | 48 | 62 | 40.5 | 75 | 53 | 19,2 |
| | 5/8×1-1/8 | 16×28 | | | | | | 48 | 66 | | | | |
| | 7/8×1-1/8 | 22×28 | | | | | | 62 | 66 | | | | |
| | 7/8×1-3/8 | 22×35 | | | | | | 62 | 66 | | | | |



| Model | Connections | | Capillary | Dimensions [mm] | | | | | | | | | |
|--------|-------------|--------------|-----------|-----------------|------|------|------|------|------|------|------|------|------|
| | Flare | | | H1 | H2 | H3 | H4 | L1 | L2 | L3 | L4 | ΦD1 | ΦD2 |
| | Inlet | Out x Ext. E | | [mm] | [mm] | [mm] | [mm] | [mm] | [mm] | [mm] | [mm] | [mm] | [mm] |
| RFGD20 | 5/8×3/4 | 1/4MIO | 1.5 | 32 | 9 | 8 | 111 | 47.5 | 53 | 37.7 | 75 | 53 | 19,2 |
| | 5/8×3/4 | 1/4SAE | | | | | | | | | | | |
| | 5/8×3/4 | ORFS×1/4 | | | | | | | | | | | |

For complete product family information please visit us at www.sanhuaeurope.com and download the full range of datasheet at TECHNICAL INFORMATION LINK.